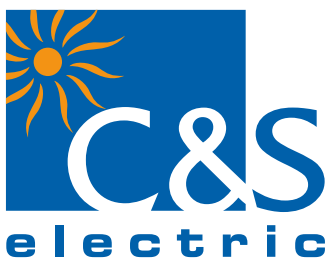
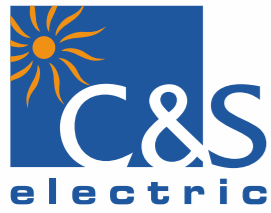


We touch
your **electricity**
everyday!



**Industrial Plugs
& Sockets**



C&S Electric Ltd. is one of the leading manufacturer of electrical and electronic equipment in India. It is one of India's largest exporters of industrial switchgear & power busbar products. C&S Electric products are used in applications ranging from power generation, transmission and distribution, protection and final consumption.

C&S Electric has the following product verticals:

- LV Switchgear
- LV Switchboards
- Power Busbars
- Protection and Measurement Devices

MANUFACTURING FACILITIES



C&S Controlgear Plant at Noida



C&S Switchgear Plant at Noida



World-Class Manufacturing Plants at SIDCUL, Haridwar

MARKET LEADER

C&S is one of the leading supplier in the LV Switchgear business segment and a market leader in the busbar business with more than 50% share in Indian market.

10 MANUFACTURING PLANTS

C&S Electric have 10 state-of-the-art manufacturing facilities in Noida, Haridwar & Guwahati, which are equipped with latest tools and systems to ensure highest level of quality and services.

600+ STOCKISTS

A dedicated network of channel partners, ensuring access to the farthest corners of India, with an obsession for customer services. In addition C&S products are available in 8000+ retail counters nationally.

EXPORTS TO OVER 85 COUNTRIES

C&S exports the entire range of products across all 7 continents, thus reaffirming its position as one of India's largest exporters of industrial electrical products.

5000+ WORKFORCE

5000+ Workforce including over 371 engineers, dedicated sales team of 424 people & millions of satisfied customers.

R&D

4 Govt. approved labs/centres, over 20,000 sqft. space dedicated to R&D, 70 R&D engineers, state of the art testing & design facilities ... & most of the all a passion for innovation & excellence.

CONTENTS

Features & Benefits	05
Plugs	07~09
Sockets	10~15
Connectors	16~17
Interlock Switch Socket	18~20
AC Distribution Box	21~ 22
Application Matrix	23

Quality Assurance



BENEFITS

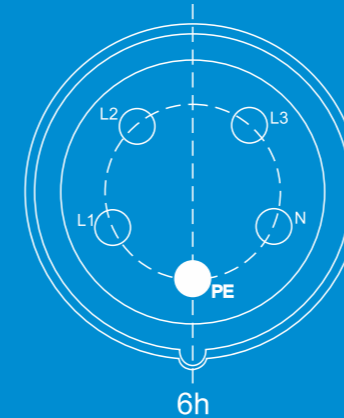
- Safety through interchangeability
- High grade thermo plastic material assures:
 - Exceptional high impact resistance
 - High thermal stability
 - High insulated Quality
 - Good resistance to various chemicals
- Colour codes for easy identification of Plug & Sockets
- Locking device prevent unintended withdrawal

The Plugs & Sockets ranges are:

- 3 Pin 16, 32 & 63A, 240V AC IP 44 & 67 versions
- 5 Pin 16, 32 & 63A, 415V AC IP 44 & 67 versions
- 3, 5 Pin 16 & 32A, 240/415V AC Interlocked Sockets IP 44 & 67 versions
- AC Distribution Box with Socket 16, 32 & 63A IP 40

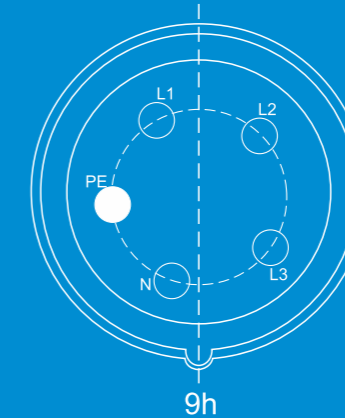
IEC 60309 Series IP44 & IP67 Protection

Position of the Earthing Contact



6h

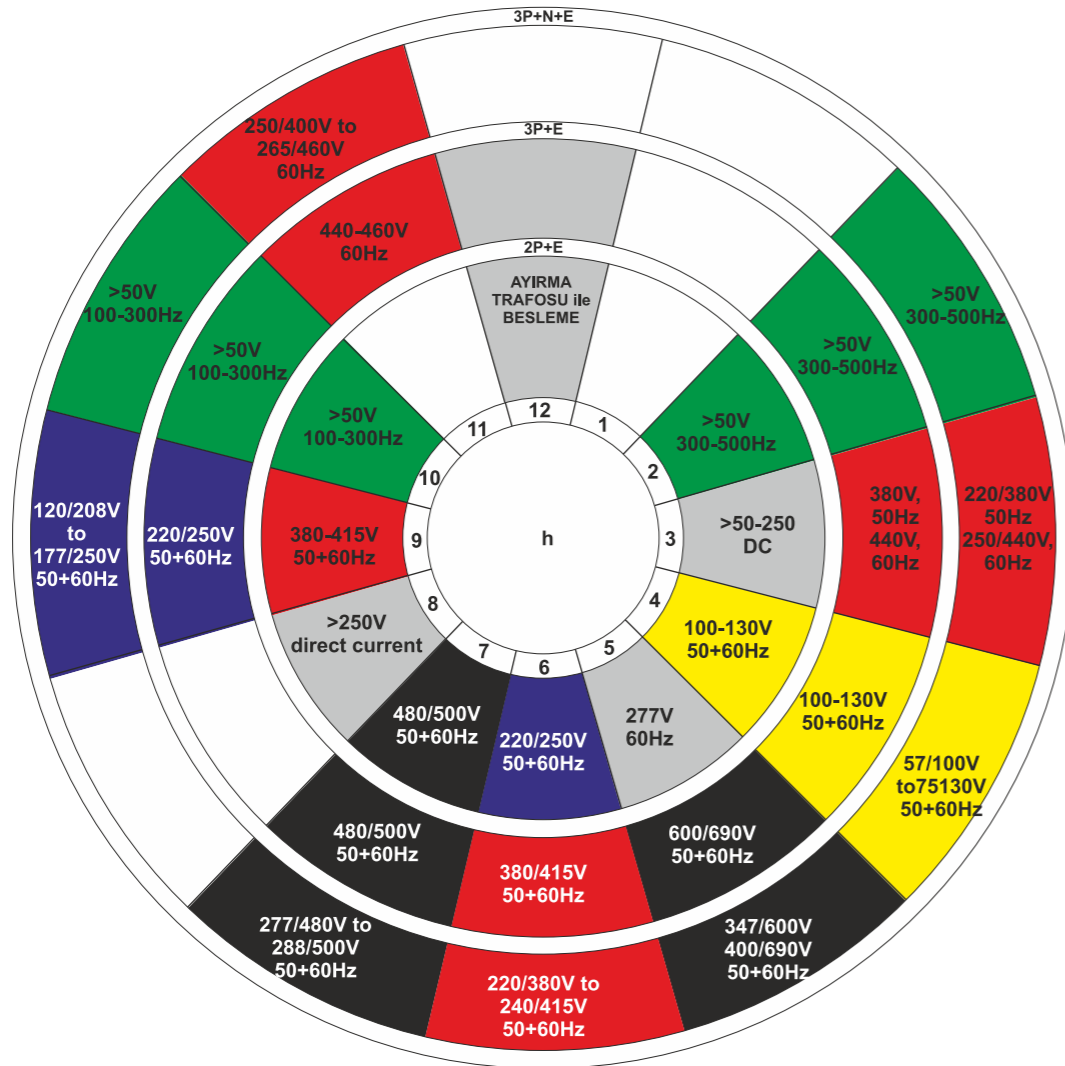
Position of the Earthing Contact



9h



IEC 60309 Clock



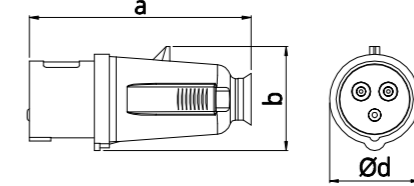
Rated Operating Voltage	Colour Code
20-25 V	violet
45-50 V	white
100-130 V	yellow
200-250 V	blue
380-480 V	red
500-690 V	black
>60-500 Hz	green
no colour code	grey

Plugs

CS60004



Rating: 16A, 2P+E, 6h
Voltage: 220-250V
IP Category: IP44
Plugs Straight - Splash Proof

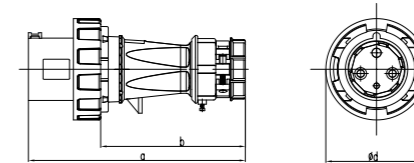


Earth contact position	6h
Pole	2P+E
Dimension (mm)	a 125 b 59 d 50
Cable cross section (mm ²)	1-2.5

CS60026



Rating: 16A, 2P+E, 6h
Voltage: 220-250V
IP Category: IP67
Plugs Straight - Water Tight

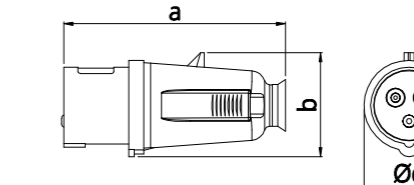


Earth contact position	6h
Pole	2P+E
Dimension (mm)	a 130.5 b 84 c 72.3
Cable cross section (mm ²)	1.5-4

CS60015



Rating: 32A, 2P+E, 6h
Voltage: 220-250V
IP Category: IP44
Plugs Straight - Splash Proof

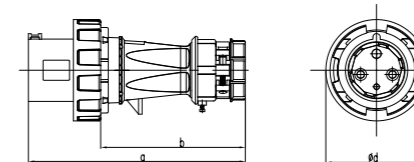


Earth contact position	6h
Pole	2P+E
Dimension (mm)	a 155 b 79 d 64
Cable cross section (mm ²)	2.5-6

CS60037




Rating: 32A, 2P+E, 6h
Voltage: 220-250V
IP Category: IP67
Plugs Straight - Water Tight



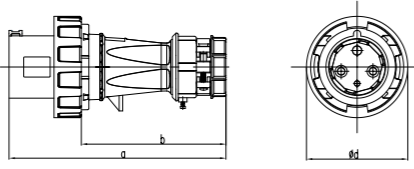
Earth contact position	6h
Pole	2P+E
Dimension (mm)	a 157.5 b 104 c 93
Cable cross section (mm ²)	2.5-10

Plugs

CS61048




Rating: 63A, 2P+E, 6h
Voltage: 220-250V
IP Category: IP67
Plugs Straight - Water Tight

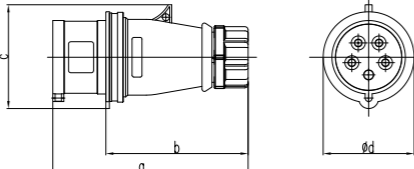


Earth contact position	6h
Pole	2P+E
Dimension (mm)	a 238.3 b 155.3 c 112.2
Cable cross section (mm ²)	6.0-25

CS60009




Rating: 16A, 3P+N+E,6h
Voltage: 380-415V
IP Category: IP44
Plugs Straight - Splash Proof

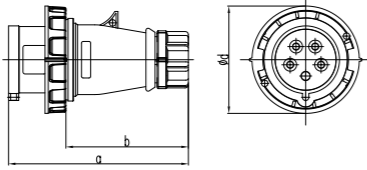


Earth contact position	6h
Pole	3P+N+E
Dimension (mm)	a 140.5 b 104 c 75.8 d 68
Cable cross section (mm ²)	1.5-4

CS60031




Rating: 16A, 3P+N+E,6h
Voltage: 380-415V
IP Category: IP67
Plugs Straight - Water Tight

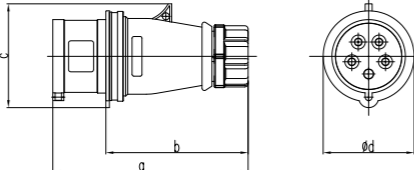


Earth contact position	6h
Pole	3P+N+E
Dimension (mm)	a 140.5 b 94 c 87
Cable cross section (mm ²)	1.5-4

CS60020




Rating: 32A, 3P+N+E,6h
Voltage: 380-415V
IP Category: IP44
Plugs Straight - Splash Proof



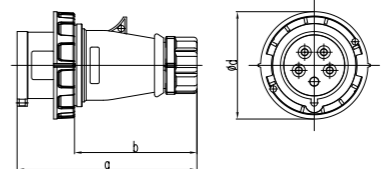
Earth contact position	6h
Pole	3P+N+E
Dimension (mm)	a 167.5 b 122 c 89 d 77.8
Cable cross section (mm ²)	2.5-10

Plugs

CS60042




Rating: 32A, 3P+N+E,6h
Voltage: 380-415V
IP Category: IP67
Plugs Straight - Water Tight

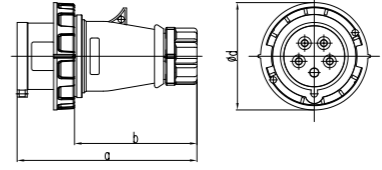


Earth contact position	6h
Pole	3P+N+E
Dimension (mm)	a 167.5 b 114 c 100
Cable cross section (mm ²)	2.5-10

CS61053




Rating: 63A, 3P+N+E,6h
Voltage: 380-415V
IP Category: IP67
Plugs Straight - Water Tight

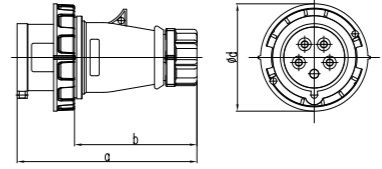


Earth contact position	6h
Pole	3P+N+E
Dimension (mm)	a 238.3 b 155.3 c 112.2
Cable cross section (mm ²)	6.0-25

CS60061




Rating: 125A, 3P+N+E,6h
Voltage: 380-415V
IP Category: IP67
Plugs Straight - Water Tight

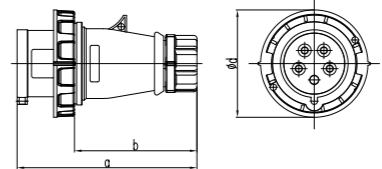


Earth contact position	6h
Pole	3P+N+E
Dimension (mm)	a 291.1 b 210 c 131
Cable cross section (mm ²)	25-70

CS60145



Rating: 32A, 3P+E,3h
Voltage: 380-415V
IP Category: IP67
Plugs Straight - Water Tight



Earth contact position	3h
Pole	3P+E
Dimension (mm)	a 186 b 133 c 94
Cable cross section (mm ²)	2.5-10

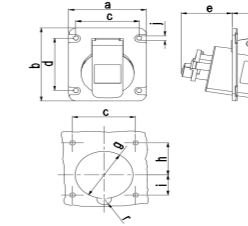


Sockets

CS62205



Rating: 16A, 2P+E, 6h
Voltage: 220-250V
IP Category: IP44
Panel Mounting Angles Socket- splash proof

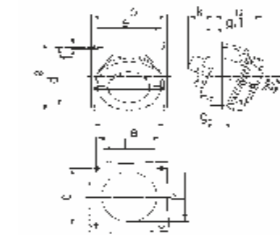


Earth contact position	6h																						
Pole	2P+E																						
Dimension (mm)	<table border="1"> <tr><td>a</td><td>74.5</td></tr> <tr><td>b</td><td>85</td></tr> <tr><td>c</td><td>60,5</td></tr> <tr><td>d</td><td>61</td></tr> <tr><td>e</td><td>51</td></tr> <tr><td>f</td><td>32</td></tr> <tr><td>g</td><td>55</td></tr> <tr><td>h</td><td>37,5</td></tr> <tr><td>i</td><td>23,5</td></tr> <tr><td>r</td><td>7</td></tr> <tr><td>j</td><td>4,3</td></tr> </table>	a	74.5	b	85	c	60,5	d	61	e	51	f	32	g	55	h	37,5	i	23,5	r	7	j	4,3
a	74.5																						
b	85																						
c	60,5																						
d	61																						
e	51																						
f	32																						
g	55																						
h	37,5																						
i	23,5																						
r	7																						
j	4,3																						
Cable cross section (mm ²)	1-2,5																						

CS62227



Rating: 16A, 2P+E, 6h
Voltage: 220-250V
IP Category: IP67
Panel Mounting Angles Socket - Water Tight

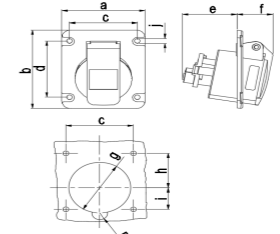


Earth contact position	6h																										
Pole	2P+E																										
Dimension (mm)	<table border="1"> <tr><td>a</td><td>73,5</td></tr> <tr><td>b</td><td>64</td></tr> <tr><td>c</td><td>52</td></tr> <tr><td>d</td><td>60</td></tr> <tr><td>e</td><td>52</td></tr> <tr><td>f</td><td>5,3</td></tr> <tr><td>g</td><td>7</td></tr> <tr><td>g.1</td><td>2</td></tr> <tr><td>h</td><td>84</td></tr> <tr><td>i</td><td>78</td></tr> <tr><td>k</td><td>45</td></tr> <tr><td>l</td><td>52</td></tr> <tr><td>l1</td><td>60</td></tr> </table>	a	73,5	b	64	c	52	d	60	e	52	f	5,3	g	7	g.1	2	h	84	i	78	k	45	l	52	l1	60
a	73,5																										
b	64																										
c	52																										
d	60																										
e	52																										
f	5,3																										
g	7																										
g.1	2																										
h	84																										
i	78																										
k	45																										
l	52																										
l1	60																										
Cable cross section (mm ²)	1,5-4																										

CS62216



Rating: 32A, 2P+E, 6h
Voltage: 220-250V
IP Category: IP67
Panel Mounting Angles Socket- splash proof

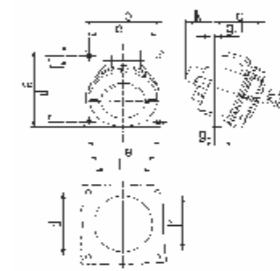


Earth contact position	6h																						
Pole	2P+E																						
Dimension (mm)	<table border="1"> <tr><td>a</td><td>80,5</td></tr> <tr><td>b</td><td>97</td></tr> <tr><td>c</td><td>60</td></tr> <tr><td>d</td><td>71</td></tr> <tr><td>e</td><td>67</td></tr> <tr><td>f</td><td>37</td></tr> <tr><td>g</td><td>70</td></tr> <tr><td>h</td><td>35,5</td></tr> <tr><td>i</td><td>35,5</td></tr> <tr><td>r</td><td>8</td></tr> <tr><td>j</td><td>5,3</td></tr> </table>	a	80,5	b	97	c	60	d	71	e	67	f	37	g	70	h	35,5	i	35,5	r	8	j	5,3
a	80,5																						
b	97																						
c	60																						
d	71																						
e	67																						
f	37																						
g	70																						
h	35,5																						
i	35,5																						
r	8																						
j	5,3																						
Cable cross section (mm ²)	2,5-6																						

CS62238


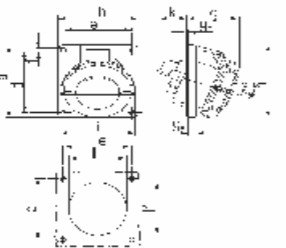

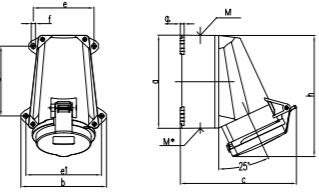

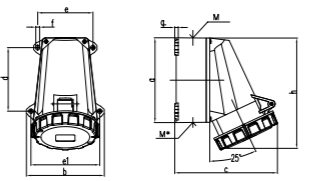

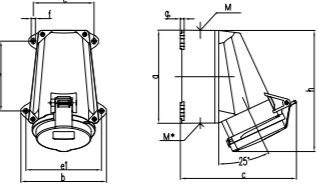

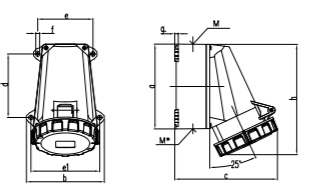


Rating: 32A, 2P+E, 6h
Voltage: 220-250V
IP Category: IP67
Panel Mounting Angles Socket - Water Tight


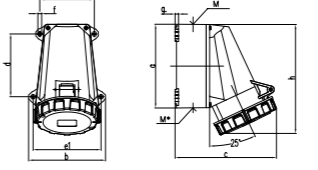

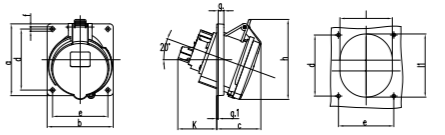

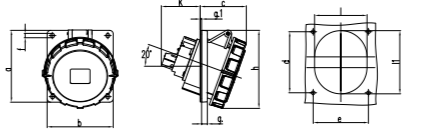

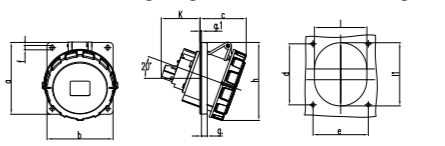

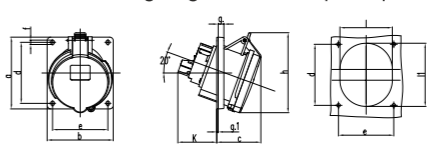


Earth contact position	6h																										
Pole	2P+E																										
Dimension (mm)	<table border="1"> <tr><td>a</td><td>100</td></tr> <tr><td>b</td><td>92</td></tr> <tr><td>c</td><td>64</td></tr> <tr><td>d</td><td>85</td></tr> <tr><td>e</td><td>77</td></tr> <tr><td>f</td><td>5,3</td></tr> <tr><td>g</td><td>8</td></tr> <tr><td>g.1</td><td>2</td></tr> <tr><td>h</td><td>109</td></tr> <tr><td>i</td><td>103</td></tr> <tr><td>k</td><td>54</td></tr> <tr><td>l</td><td>70</td></tr> <tr><td>l1</td><td>82</td></tr> </table>	a	100	b	92	c	64	d	85	e	77	f	5,3	g	8	g.1	2	h	109	i	103	k	54	l	70	l1	82
a	100																										
b	92																										
c	64																										
d	85																										
e	77																										
f	5,3																										
g	8																										
g.1	2																										
h	109																										
i	103																										
k	54																										
l	70																										
l1	82																										
Cable cross section (mm ²)	2,5-10																										

Sockets


<p>CS63249</p> 	<p>Rating: 63A, 2P+E, 6h Voltage: 220-250V IP Category: IP67 Panel Mounting Angles Socket - Water Tight</p> 	<table border="1"> <tr><td>Earth contact position</td><td>6h</td></tr> <tr><td>Pole</td><td>2P+E</td></tr> <tr><td>Dimension (mm)</td><td>a 110 b 106 c 85 d 85 e 77 f 6,2 g 12 g,1 2 h 125 i 117 k 69 l 90 l1 103</td></tr> <tr><td>Cable cross section (mm²)</td><td>6.0-25</td></tr> </table>	Earth contact position	6h	Pole	2P+E	Dimension (mm)	a 110 b 106 c 85 d 85 e 77 f 6,2 g 12 g,1 2 h 125 i 117 k 69 l 90 l1 103	Cable cross section (mm ²)	6.0-25
	Earth contact position	6h								
Pole	2P+E									
Dimension (mm)	a 110 b 106 c 85 d 85 e 77 f 6,2 g 12 g,1 2 h 125 i 117 k 69 l 90 l1 103									
Cable cross section (mm ²)	6.0-25									
<p>CS62404</p> 	<p>Rating: 16A, 2P+E, 6h Voltage: 220-250V IP Category: IP44 Surface Mounting Socket - Splash Proof</p> 	<table border="1"> <tr><td>Earth contact position</td><td>6h</td></tr> <tr><td>Pole</td><td>2P+E</td></tr> <tr><td>Dimension (mm)</td><td>a 95 b 102 c 123 d 64,2 e 77,5 e1 88 f 5,5 g 5 h 131 M 25</td></tr> <tr><td>Cable cross section (mm²)</td><td>1.5-4</td></tr> </table>	Earth contact position	6h	Pole	2P+E	Dimension (mm)	a 95 b 102 c 123 d 64,2 e 77,5 e1 88 f 5,5 g 5 h 131 M 25	Cable cross section (mm ²)	1.5-4
	Earth contact position	6h								
Pole	2P+E									
Dimension (mm)	a 95 b 102 c 123 d 64,2 e 77,5 e1 88 f 5,5 g 5 h 131 M 25									
Cable cross section (mm ²)	1.5-4									
<p>CS62426</p> 	<p>Rating: 16A, 2P+E, 6h Voltage: 220-250V IP Category: IP67 Surface Mounting Socket - Water Tight</p> 	<table border="1"> <tr><td>Earth contact position</td><td>6h</td></tr> <tr><td>Pole</td><td>2P+E</td></tr> <tr><td>Dimension (mm)</td><td>a 95 b 102 c 115 d 62 e 77 f 77,5 g 5,3 g,1 8 h 2 i 105 k 44 l 65 l1 75</td></tr> <tr><td>Cable cross section (mm²)</td><td>1.5-4</td></tr> </table>	Earth contact position	6h	Pole	2P+E	Dimension (mm)	a 95 b 102 c 115 d 62 e 77 f 77,5 g 5,3 g,1 8 h 2 i 105 k 44 l 65 l1 75	Cable cross section (mm ²)	1.5-4
	Earth contact position	6h								
Pole	2P+E									
Dimension (mm)	a 95 b 102 c 115 d 62 e 77 f 77,5 g 5,3 g,1 8 h 2 i 105 k 44 l 65 l1 75									
Cable cross section (mm ²)	1.5-4									
<p>CS62415</p> 	<p>Rating: 32A, 2P+E, 6h Voltage: 220-250V IP Category: IP44 Surface Mounting Socket - Splash Proof</p> 	<table border="1"> <tr><td>Earth contact position</td><td>6h</td></tr> <tr><td>Pole</td><td>2P+E</td></tr> <tr><td>Dimension (mm)</td><td>a 121 b 112 c 142 d 91 e 79 e1 98,5 f 5,5 g 5 h 160 M 32</td></tr> <tr><td>Cable cross section (mm²)</td><td>2.5-10</td></tr> </table>	Earth contact position	6h	Pole	2P+E	Dimension (mm)	a 121 b 112 c 142 d 91 e 79 e1 98,5 f 5,5 g 5 h 160 M 32	Cable cross section (mm ²)	2.5-10
	Earth contact position	6h								
Pole	2P+E									
Dimension (mm)	a 121 b 112 c 142 d 91 e 79 e1 98,5 f 5,5 g 5 h 160 M 32									
Cable cross section (mm ²)	2.5-10									
<p>CS62437</p> 	<p>Rating: 32A, 2P+E, 6h Voltage: 220-250V IP Category: IP67 Surface Mounting Socket - Water Tight</p> 	<table border="1"> <tr><td>Earth contact position</td><td>6h</td></tr> <tr><td>Pole</td><td>2P+E</td></tr> <tr><td>Dimension (mm)</td><td>a 121 b 112 c 146 d 90,2 e 79 e1 98,5 f 5,5 g 5 h 160 M 32</td></tr> <tr><td>Cable cross section (mm²)</td><td>2.5-10</td></tr> </table>	Earth contact position	6h	Pole	2P+E	Dimension (mm)	a 121 b 112 c 146 d 90,2 e 79 e1 98,5 f 5,5 g 5 h 160 M 32	Cable cross section (mm ²)	2.5-10
	Earth contact position	6h								
Pole	2P+E									
Dimension (mm)	a 121 b 112 c 146 d 90,2 e 79 e1 98,5 f 5,5 g 5 h 160 M 32									
Cable cross section (mm ²)	2.5-10									

Sockets

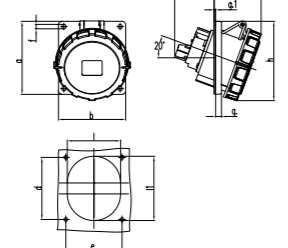
<p>CS63448</p> 	<p>Rating: 63A, 2P+E, 6h Voltage: 220-250V IP Category: IP67 Surface Mounting Socket - Water Tight</p> 	<table border="1"> <tr><td>Earth contact position</td><td>6h</td></tr> <tr><td>Pole</td><td>2P+E</td></tr> <tr><td>Dimension (mm)</td><td>a 170 b 118,5 c 171 d 135,6 e 103 e1 103 f 6,1 g 6 h 216 M 40</td></tr> <tr><td>Cable cross section (mm²)</td><td>6.0-25</td></tr> </table>	Earth contact position	6h	Pole	2P+E	Dimension (mm)	a 170 b 118,5 c 171 d 135,6 e 103 e1 103 f 6,1 g 6 h 216 M 40	Cable cross section (mm ²)	6.0-25
	Earth contact position	6h								
Pole	2P+E									
Dimension (mm)	a 170 b 118,5 c 171 d 135,6 e 103 e1 103 f 6,1 g 6 h 216 M 40									
Cable cross section (mm ²)	6.0-25									
<p>CS62210</p> 	<p>Rating: 16A, 3P+N+E,6h Voltage: 380-415V IP Category: IP44 Panel Mounting Angles Socket- splash proof</p> 	<table border="1"> <tr><td>Earth contact position</td><td>6h</td></tr> <tr><td>Pole</td><td>3P+N+E</td></tr> <tr><td>Dimension (mm)</td><td>a 100 b 92 c 58 d 85 e 77 f 5,3 g 8 g,1 2 h 105 k 41 l 65 L1 75</td></tr> <tr><td>Cable cross section (mm²)</td><td>1.5-4</td></tr> </table>	Earth contact position	6h	Pole	3P+N+E	Dimension (mm)	a 100 b 92 c 58 d 85 e 77 f 5,3 g 8 g,1 2 h 105 k 41 l 65 L1 75	Cable cross section (mm ²)	1.5-4
	Earth contact position	6h								
Pole	3P+N+E									
Dimension (mm)	a 100 b 92 c 58 d 85 e 77 f 5,3 g 8 g,1 2 h 105 k 41 l 65 L1 75									
Cable cross section (mm ²)	1.5-4									
<p>CS62232</p> 	<p>Rating: 16A, 3P+N+E,6h Voltage: 380-415V IP Category: IP67 Panel Mounting Angles Socket - Water Tight</p> 	<table border="1"> <tr><td>Earth contact position</td><td>6h</td></tr> <tr><td>Pole</td><td>3P+N+E</td></tr> <tr><td>Dimension (mm)</td><td>a 100 b 92 c 62 d 85 e 77 f 5,3 g 8 g,1 2 h 105 i 96 k 44 l 65 l1 75</td></tr> <tr><td>Cable cross section (mm²)</td><td>1.5-4</td></tr> </table>	Earth contact position	6h	Pole	3P+N+E	Dimension (mm)	a 100 b 92 c 62 d 85 e 77 f 5,3 g 8 g,1 2 h 105 i 96 k 44 l 65 l1 75	Cable cross section (mm ²)	1.5-4
	Earth contact position	6h								
Pole	3P+N+E									
Dimension (mm)	a 100 b 92 c 62 d 85 e 77 f 5,3 g 8 g,1 2 h 105 i 96 k 44 l 65 l1 75									
Cable cross section (mm ²)	1.5-4									
<p>CS62283</p> 	<p>Rating: 32A, 3P+E,3h Voltage: 380-415V IP Category: IP67 Panel Mounting Angles Socket - Water Tight</p> 	<table border="1"> <tr><td>Earth contact position</td><td>3h</td></tr> <tr><td>Pole</td><td>3P+E</td></tr> <tr><td>Dimension (mm)</td><td>a 100 b 92 c 64 d 85 e 77 f 5,3 g 8 g,1 2 h 109 i 103 k 54 l 70 l1 82</td></tr> <tr><td>Cable cross section (mm²)</td><td>2.5-10</td></tr> </table>	Earth contact position	3h	Pole	3P+E	Dimension (mm)	a 100 b 92 c 64 d 85 e 77 f 5,3 g 8 g,1 2 h 109 i 103 k 54 l 70 l1 82	Cable cross section (mm ²)	2.5-10
	Earth contact position	3h								
Pole	3P+E									
Dimension (mm)	a 100 b 92 c 64 d 85 e 77 f 5,3 g 8 g,1 2 h 109 i 103 k 54 l 70 l1 82									
Cable cross section (mm ²)	2.5-10									
<p>CS62221</p> 	<p>Rating: 32A, 3P+N+E,6h Voltage: 380-415V IP Category: IP44 Panel Mounting Angles Socket- splash proof</p> 	<table border="1"> <tr><td>Earth contact position</td><td>6h</td></tr> <tr><td>Pole</td><td>3P+N+E</td></tr> <tr><td>Dimension (mm)</td><td>a 100 b 92 c 62 d 85 e 77 f 5,3 g 8 g,1 2 h 112 i 55 k 73 l 86 L1</td></tr> <tr><td>Cable cross section (mm²)</td><td>2.5-10</td></tr> </table>	Earth contact position	6h	Pole	3P+N+E	Dimension (mm)	a 100 b 92 c 62 d 85 e 77 f 5,3 g 8 g,1 2 h 112 i 55 k 73 l 86 L1	Cable cross section (mm ²)	2.5-10
	Earth contact position	6h								
Pole	3P+N+E									
Dimension (mm)	a 100 b 92 c 62 d 85 e 77 f 5,3 g 8 g,1 2 h 112 i 55 k 73 l 86 L1									
Cable cross section (mm ²)	2.5-10									

Sockets

CS62243




Rating 32A, 3P+N+E,6h
Voltage: 380-415V
IP Category: IP67
Panel Mounting Angles Socket - Water Tight

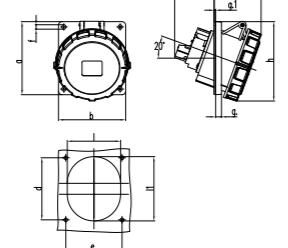


Earth contact position	6h
Pole	3P+N+E
Dimension (mm)	a 100 b 92 c 66 d 85 e 77 f 5.3 g 8 g, l 2 h 113 i 110 k 54 l 73 l1 86
Cable cross section (mm ²)	2.5-10

CS63254




Rating: 63A, 3P+N+E,6h
Voltage: 380-415V
IP Category: IP67
Panel Mounting Angles Socket - Water Tight

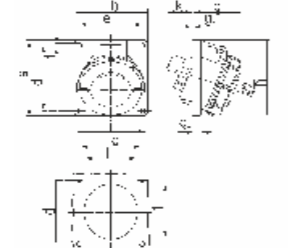


Earth contact position	6h
Pole	3P+N+E
Dimension (mm)	a 110 b 106 c 85 d 85 e 77 f 6.2 g 12 g, l 2 h 125 i 117 k 69 l 90 l1 103
Cable cross section (mm ²)	6.0-25

CS62262




Rating: 125A, 3P+N+E,6h
Voltage: 380-415V
IP Category: IP67
Panel Mounting Angles Socket - Water Tight

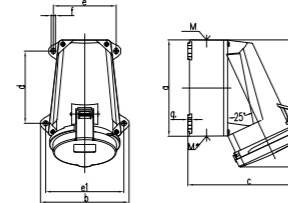


Earth contact position	6h
Pole	3P+N+E
Dimension (mm)	a 114 b 110 c 85 d 90 e 90 f 6.2 g 13 g, l 2 h 135 i 135 k 103 l 91.5 l1 105
Cable cross section (mm ²)	25-70

CS62409




Rating: 16A, 3P+N+E,6h
Voltage: 380-415V
IP Category: IP44
Surface Mounting Socket - Splash Proof



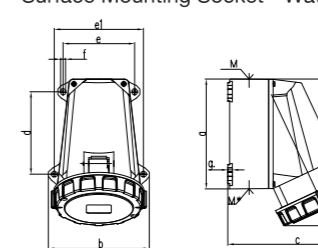
Earth contact position	6h
Pole	3P+N+E
Dimension (mm)	a 95 b 102 c 134 d 64.2 e 77.5 e1 88 f 5.5 g 5 h 130 M 25
Cable cross section (mm ²)	1.5-4

Sockets

CS62431




Rating: 16A, 3P+N+E,6h
Voltage: 380-415V
IP Category: IP67
Surface Mounting Socket - Water Tight

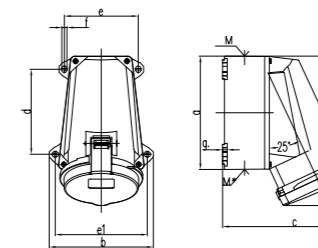


Earth contact position	6h
Pole	3P+N+E
Dimension (mm)	a 95 b 102 c 127 d 64.2 e 77.5 e1 88 f 5.5 g 5 h 134 M 25
Cable cross section (mm ²)	1.5-4

CS62420




Rating: 32A, 3P+N+E,6h
Voltage: 380-415V
IP Category: IP44
Surface Mounting Socket - Splash Proof

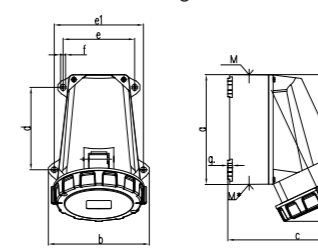


Earth contact position	6h
Pole	3P+N+E
Dimension (mm)	a 121 b 112 c 155 d 90.2 e 79 e1 98.5 f 5.5 g 5 h 160 M 32
Cable cross section (mm ²)	2.5-10

CS62442




Rating: 32A, 3P+N+E,6h
Voltage: 380-415V
IP Category: IP67
Surface Mounting Socket - Water Tight

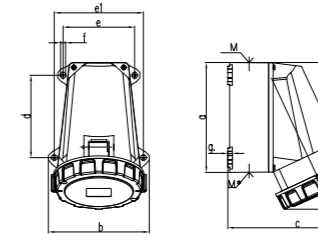


Earth contact position	6h
Pole	3P+N+E
Dimension (mm)	a 121 b 112 c 150 d 90.2 e 79 e1 98.5 f 5.5 g 5 h 162 M 32
Cable cross section (mm ²)	2.5-10

CS63453



Rating: 63A, 3P+N+E,6h
Voltage: 380-415V
IP Category: IP67
Surface Mounting Socket - Water Tight

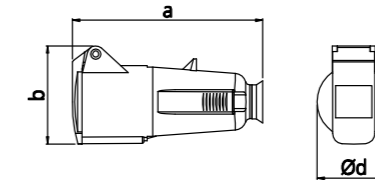


Earth contact position	6h
Pole	3P+N+E
Dimension (mm)	a 170 b 118.5 c 171 d 135.6 e 103 e1 88 f 6.1 g 6 h 216 M 40
Cable cross section (mm ²)	6.0-25



Connectors

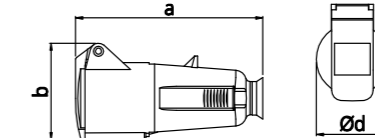
CS62004



Rating: 16A, 2P+E, 6h
Voltage: 220-250V
IP Category: IP44
Connector - Splash Proof

Earth contact position	6h	
Pole	2P+E	
Dimension (mm)	a	131
	b	69
	d	50.5
Cable cross section (mm ²)	1-2.5	

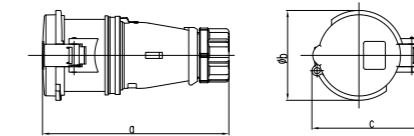
CS62015



Rating: 32A, 2P+E, 6h
Voltage: 220-250V
IP Category: IP44
Connector - Splash Proof

Earth contact position	6h	
Pole	2P+E	
Dimension (mm)	a	165
	b	87
	d	65
Cable cross section (mm ²)	2.5-6	

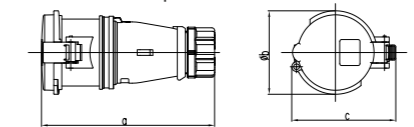
CS66215



Rating: 16A, 3P+N+E, 6h
Voltage: 380-415V
IP Category: IP44
Connector - Splash Proof

Earth contact position	6h	
Pole	3P+N+E	
Dimension (mm)	a	149.5
	b	75.5
	c	96.5
Cable cross section (mm ²)	1-2.5	

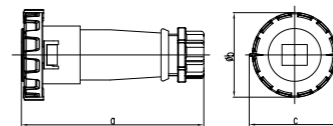
CS66225



Rating: 32A, 3P+N+E, 6h
Voltage: 380-415V
IP Category: IP44
Connector - Splash Proof

Earth contact position	6h	
Pole	3P+N+E	
Dimension (mm)	a	183.5
	b	88.5
	c	109.5
Cable cross section (mm ²)	2.5-6	

CS62128

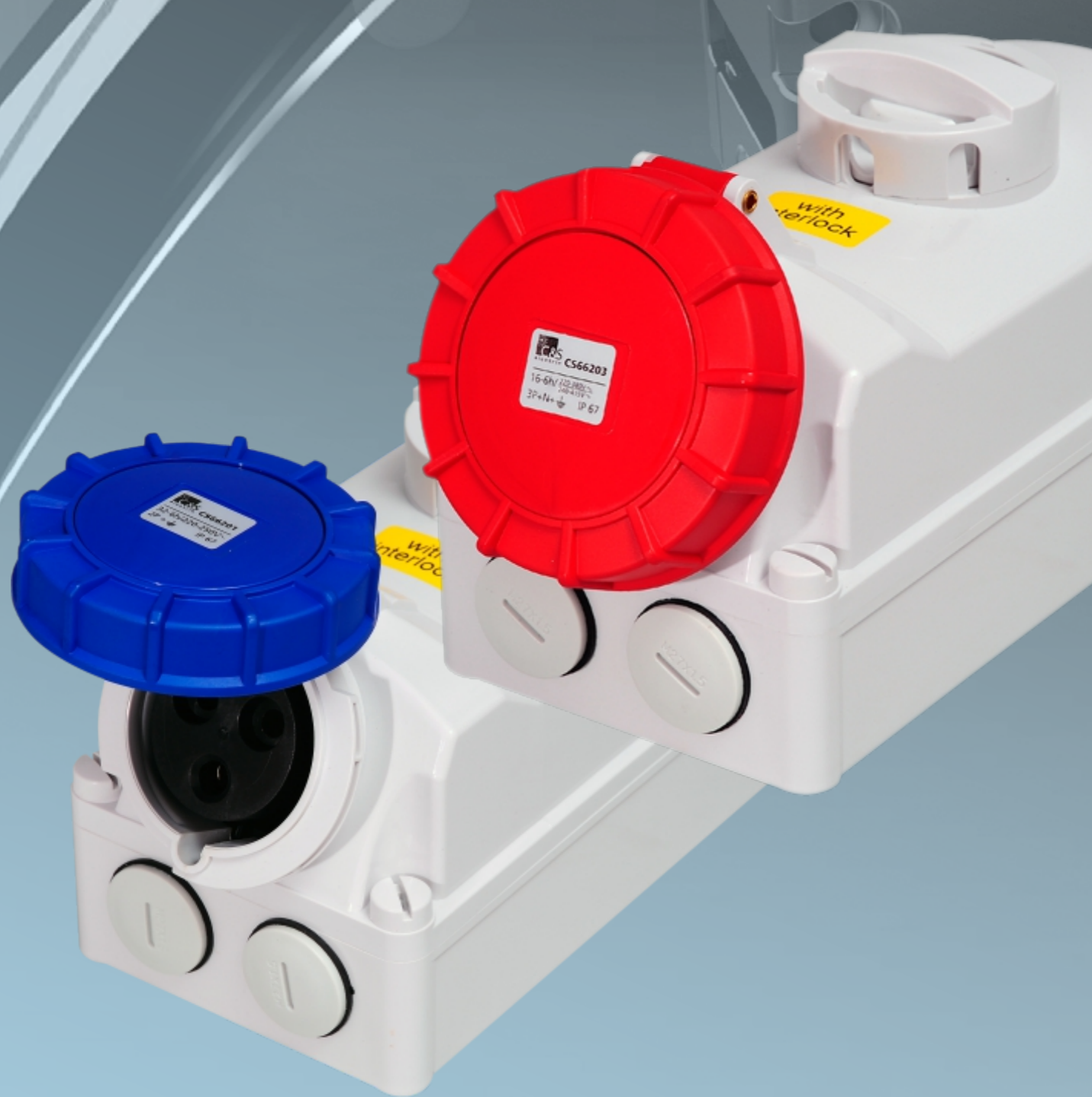


Rating: 32A, 3P+N+E, 3h
Voltage: 380-415V
IP Category: IP67
Connector - Water Tight

Earth contact position	3h	
Pole	3P+E	
Dimension (mm)	a	212
	b	96
	c	103
Cable cross section (mm ²)	2.5-10	

Interlock Switch Socket

3, 5 Pin 16 & 32A, IP 44 & 67

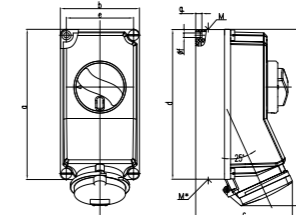


Interlock Switch Socket

CS66004(H)



Rating: 16A, 2P+E, 6h
Voltage: 220-250V
IP Category: IP44
Interlock Horizontal Switch Sockets
- Splash Proof

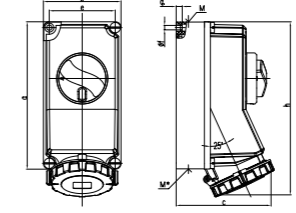


Earth contact position	6h	
Pole	2P+E	
Dimension (mm)	a	226
	b	119
	c	141
	d	208
	e	101
	f	6.3
	g	8
	h	250
	M	1x32
	M*	1x25
Cable cross section (mm ²)	1.5-4	

CS66200



Rating 16A, 2P+E, 6h
Voltage: 220-250V
IP Category: IP67
Interlock Horizontal Switch Sockets
- Water Tight

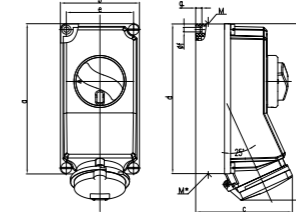


Earth contact position	6h	
Pole	2P+E	
Dimension (mm)	a	226
	b	119
	c	144
	d	208
	e	101
	f	6.3
	g	8
	h	252
	M	1x32
	M*	1x25
Cable cross section (mm ²)	1.5-4	

CS66015(H)



Rating: 32A, 2P+E, 6h
Voltage: 220-250V
IP Category: IP44
Interlock Horizontal Switch Sockets
- Splash Proof

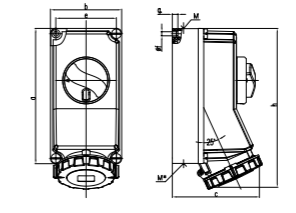


Earth contact position	6h	
Pole	2P+E	
Dimension (mm)	a	226
	b	119
	c	146
	d	208
	e	101
	f	6.3
	g	8
	h	264
	M	1x23
	M*	1x25
Cable cross section (mm ²)	2.5-10	

CS66201



Rating: 32A, 2P+E, 6h
Voltage: 220-250V
IP Category: IP67
Interlock Horizontal Switch Sockets
- Water Tight



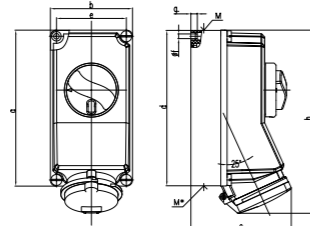
Earth contact position	6h	
Pole	2P+E	
Dimension (mm)	a	226
	b	119
	c	152
	d	208
	e	101
	f	6.3
	g	8
	h	268
	M	1x32
	M*	1x25
Cable cross section (mm ²)	2.5-10	

Interlock Switch Socket

CS66109(H)



Rating: 16A, 3P+N+E,6h
Voltage: 380-415V
IP Category: IP44
Interlock Horizontal Switch Sockets
-Splash Proof

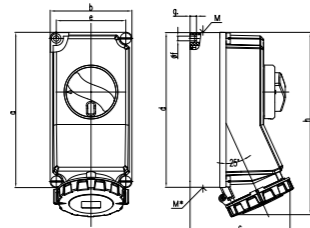


Earth contact position	6h	
Pole	3P+N+E	
Dimension (mm)	a	226
	b	119
	c	141
	d	208
	e	101
	f	6.3
	g	8
	h	254
	M	1x32, 1x125
	M*	2x25
Cable cross section (mm ²)	1.5-4	

CS66202



Rating: 16A, 3P+N+E,6h
Voltage: 380-415V
IP Category: IP67
Interlock Horizontal Switch Sockets
- Water Tight

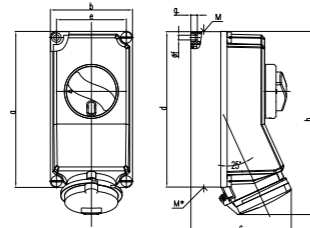


Earth contact position	6h	
Pole	3P+N+E	
Dimension (mm)	a	226
	b	119
	c	147
	d	208
	e	101
	f	6.3
	g	8
	h	259
	M	1x32, 1x125
	M*	2x25
Cable cross section (mm ²)	1.5-4	

CS66020(H)



Rating: 32A, 3P+N+E,6h
Voltage: 380-415V
IP Category: IP44
Interlock Horizontal Switch Sockets
- Water Tight

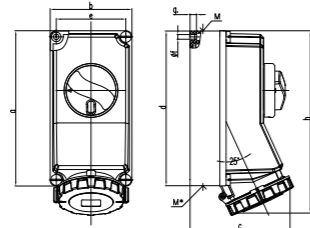


Earth contact position	6h	
Pole	3P+N+E	
Dimension (mm)	a	226
	b	119
	c	146
	d	208
	e	101
	f	6.3
	g	8
	h	264
	M	1x32, 1x125
	M*	2x25
Cable cross section (mm ²)	2.5-10	

CS66203



Rating: 32A, 3P+N+E,6h
Voltage: 380-415V
IP Category: IP67
Interlock Horizontal Switch Sockets
- Water Tight



Earth contact position	6h	
Pole	3P+N+E	
Dimension (mm)	a	226
	b	119
	c	153
	d	208
	e	101
	f	6.3
	g	8
	h	274
	M	1x32, 1x125
	M*	2x25
Cable cross section (mm ²)	2.5-10	




AC Distribution Box with Socket

16, 32 & 63A IP 40

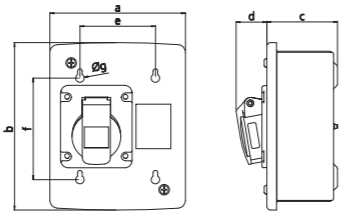


Distribution Box with Socket

CS60045

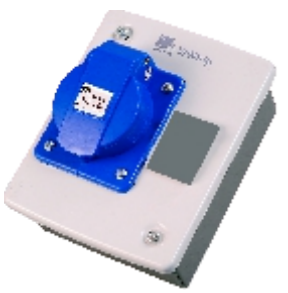


Rating: 16A, 2P+E, 6h
Voltage: 220-250V
IP Category: IP40
Distribution Box with Socket

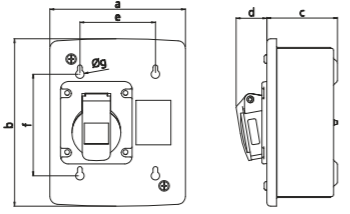


Earth contact position	6h
Pole	2P+E
Dimension (mm)	a 140
	b 173
	c 73
	d 32
	e 78
	f 105
	g 8.8

CS60046




Rating: 32A, 2P+E, 6h
Voltage: 220-250V
IP Category: IP40
Distribution Box with Socket

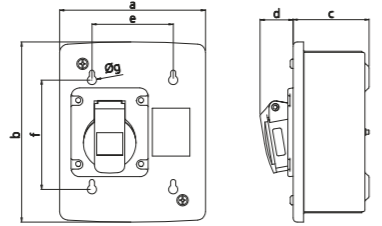


Earth contact position	6h
Pole	2P+E
Dimension (mm)	a 140
	b 173
	c 73
	d 40.5
	e 78
	f 105
	g 8.8

CS60047




Rating: 32A, 3P+N+E, 6h
Voltage: 380-415V
IP Category: IP40
Distribution Box with Socket

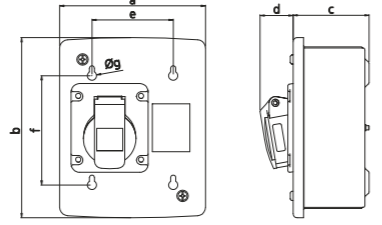


Earth contact position	6h
Pole	3P+N+E
Dimension (mm)	a 226
	b 178
	c 94
	d 45
	e 164
	f 110
	g 8.8

CS60048



Rating: 63A, 3P+N+E, 6h
Voltage: 380-415V
IP Category: IP40
Distribution Box with Socket



Earth contact position	6h
Pole	3P+N+E
Dimension (mm)	a 226
	b 178
	c 94
	d 77.5
	e 164
	f 110
	g 8.8

Sector	Environment	Typical System	Socket nominal currents (A)	Recommended installation
Commercial	Data Processing Centres	Connection of "big" processors with $1n > 3.5 \text{ mA}$	16	Flush-mounting IP 44
	Public entertainment premises	Stage light connection	16 - 32	
Industrial	Maintenance departments	Movable and portable user connection	16 - 32	Surface-mounting IP 67 on Q-DIN IP 55
	Production departments	Machine tool and process machine connection	63 - 125	Surface-mounting IP 67
	Chemical industry			
Building	Construction and demolition sites	Distribution boards	16 - 32 - 63	On Q-BOX ASC
		Socket-outlet boards	16 - 32	On Q-DIN ASC
Agriculture	Greenhouses	Movable sprayers and pumps	16	Surface-mounting IP 67 on Q-DIN IP 55
	Sheds	Movable and portable user connection	16 - 32 - 63	
Tourism	Campsites	Power outlet in service area	16 - 32	On terminal 68 Q-MC Range
	Tourist harbours		16 - 125	
Domestic	Indoor	Air Conditioner Refrigeration	16 - 32	On terminal 68 Q DIN & Metal enclosures
	Outdoor	Generator, Lawnmower Garden Lighting		

Terminal Clamping Capacity

Socket or Plug nominal current	Flexible Cables		Solid or Twisted Cables		Possibility of clamping several wire in the same terminal
	Minimum	Maximum	Minimum	Maximum	
16A	1	2.5	1.5	4	Up to 2 flexible cables with total section not exceeding the clamping capacity
32A	2.5	6	2.5	10	
63A	6	16	6	25	
125A	16	50	25	70	

Marketing offices spread all over India

REGISTERED OFFICE

210, 211 & 212, Second Floor, 'Salcon Aurum' Building
Plot No. 4, Jasola District Centre, New Delhi - 110 025 (INDIA)
Tel.: +91 11 6922 5600 | Email : info@cselectric.co.in

CENTRAL MARKETING OFFICE

C-60, Wing-A, Phase-II, Noida, District Gautam Budh Nagar, Uttar Pradesh - 201 305 (INDIA)
Tel.: +91 120 387 4800 / 01 | Email: cmo@cselectric.co.in

CUSTOMER CARE

Toll Free Number: 1800 572 2012 | Email : customercare@cselectric.co.in

NORTHERN REGION

DELHI

E-mail: cmo@cselectric.co.in

LUDHIANA

E-mail: ludhiana@cselectric.co.in

LUCKNOW

E-mail: lucknow@cselectric.co.in

KANPUR

E-mail: kanpur@cselectric.co.in

JAIPUR

E-mail: Jaipur@cselectric.co.in

CENTRAL REGION

INDORE

E-mail: indore@cselectric.co.in

RAIPUR

E-mail: raipur@cselectric.co.in

NAGPUR

E-mail: nagpur@cselectric.co.in

EASTERN REGION

KOLKATA

E-mail: kolkata@cselectric.co.in

GUWAHATI

E-mail: guwahati@cselectric.co.in

RANCHI

E-mail: commercial.ranchi@cselectric.co.in

BHUBANESWAR

E-mail: bhubaneshwar@cselectric.co.in

WESTERN REGION

MUMBAI

E-mail: reception.mumbai@cselectric.co.in

PUNE

E-mail: pune@cselectric.co.in

AHMEDABAD

E-mail: ahmedabad@cselectric.co.in

RAJKOT

E-mail: ahmedabad@cselectric.co.in

VADODARA

E-mail: baroda@cselectric.co.in

SURAT

E-mail: surat@cselectric.co.in

SOUTHERN REGION

CHENNAI

E-mail: commercial.chennai@cselectric.co.in

COIMBATORE

E-mail: coimbatore@cselectric.co.in

KOCHI

E-mail: cochin@cselectric.co.in

MADURAI

E-mail: commercial.madurai@cselectric.co.in

BENGALURU

E-mail: bangalore@cselectric.co.in

SECUNDERABAD

E-mail: hyderabad@cselectric.co.in

VIJAYAWADA

Email: commercial.vijayawada@cselectric.co.in

RESIDENT ENGINEERS

AHMEDABAD: Visnagar, Ahmedabad, Palanpur **BENGALURU:** Bangalore, Mangalore **BHUBANESHWAR:** Brahampur, Cuttack, Rourkela **CHENNAI:** Pondicherry, Trichy, Vellore, Villupuram **COCHIN:** Trichur, Trivandrum, Coimbatore, Erode **DELHI:** Hissar, Panipat, Sirsa, Agra, Dehradun, Meerut, Moradabad, Rudrapur **HYDERABAD:** Hyderabad **INDORE:** Bhopal, Gwalior, Jabalpur, Rewa, Ujjain **JAIPUR:** Bhilwara, Bikaner, Jodhpur, Kota, Sikar Udaipur **KOLKATA:** Siliguri **LUCKNOW:** Azamgarh, Gorakhpur, Prayagraj, Varanasi **LUDHIANA:** Amritsar, Chandigarh, Jalandhar, Mansa, Punchkula, J&K, Kashmir, Srinagar **MADURAI:** Kanyakumari, Nagercoil, Rajapalayam, Trichy **NAGPUR:** Chandrapur **PUNE:** Goa, Kolhapur, Solapur **RAJKOT:** Gandhidham **RANCHI:** Muzaffarpur, Patna, Purnia **SURAT:** Aurangabad, Nasik **VADODARA:** Anand, Vapi **VIJAYAWADA:** Rajahmundry, Tirupathi, Vishakhapatnam

WAREHOUSES

NOIDA B-58, Sector-80, Phase-II, Noida, District Gautam Budh Nagar, Uttar Pradesh - 201305, INDIA
JHAJJAR P-12, Sector-3, Model Economic Township, Street No.1, Badli, Dadri Toe, Jhajjar, Haryana - 124103, INDIA



IPS_01/02/2025

The illustrations and data are not binding. C&S reserve the right to modify the contents of this document based on technical development of the products or change in policy of C&S, without prior notice.

We touch your electricity everyday!