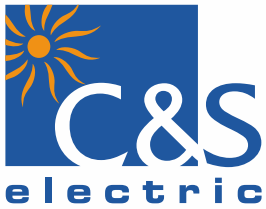


We touch
your **electricity**
everyday!





C&S Electric Ltd. is a leading manufacturer of electrical and electronic equipment in India. It is one of India's largest exporters of industrial switchgear & power busbar products. C&S Electric products are used in applications ranging from power generation, transmission and distribution, protection and final consumption.

C&S Electric has the following product verticals:

- LV Switchgear
- LV Switchboards
- Power Busbars
- Protection and Measurement Devices

MANUFACTURING FACILITIES



C&S Controlgear Plant at Noida



C&S Switchgear Plant at Noida



World-Class Manufacturing Plants at SIDCUL, Haridwar

MARKET LEADER

C&S is one of the leading supplier in the LV Switchgear business segment and a market leader in the busbar business with more than 50% share in Indian market.

11 MANUFACTURING PLANTS

C&S Electric have 11 state-of-the-art manufacturing facilities in Noida, Haridwar & Guwahati, which are equipped with latest tools and systems to ensure highest level of quality and services.

600+ STOCKISTS

A dedicated network of channel partners, ensuring access to the farthest corners of India, with an obsession for customer services. In addition C&S products are available in 8000+ retail counters nationally.

EXPORTS TO OVER 85 COUNTRIES

C&S exports the entire range of products across all 7 continents, thus reaffirming its position as one of India's largest exporters of industrial electrical products.

5000+ WORKFORCE

5000+ Workforce including over 371 engineers, dedicated sales team of 424 people & millions of satisfied customers.

R&D

4 Govt. approved labs/centres, over 20,000 sqft. space dedicated to R&D, 70 R&D engineers, state of the art testing & design facilities ... & most of the all a passion for innovation & excellence.

We touch your electricity everyday!

CONTENTS

Features & Benefits	04
Technical Information	05
Dimensional Details	06-07

Purpose

These contactors are used for control of Motors, Power Supplies, Heating Elements, Lighting & HVAC Fans and Compressors.

Environment

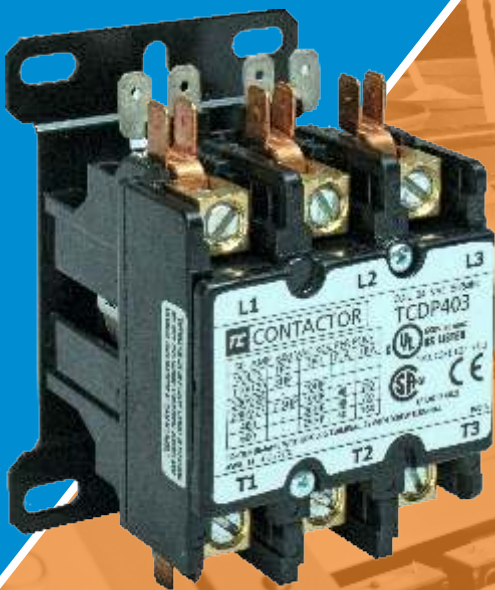
Maximum operating altitude: 2000 meters above sea level
Operating temperature: -5 °C to + 55 °C
Ambient Air temperature: -40 °C to + 65 °C
Ambient air dampness around the device: 45 to 85% RH
Coil apply voltage: 85% - 110% (50 Hz)
85% - 110% (60 Hz)
75% - 110% (50/60Hz)

Coil Data

Voltage : 24, 120, 208, 240, 277, 480 V AC 60 Hz
Normal VA : Average Inrush 80 VA, Average Sealed VA 10VA
Duty Cycle : continuous
Initial Insulation Resistance : 100 MΩ minimum

Technical Data

Expected Life : 200,000 operations on full load
AC Coil : 2 million operations, mechanical
Product conforms to UL 508, CSA 22.2 & IEC 60947-4-1.



Technical Information

1 Pole without Shunt

Full Load (Inductive) AC 8a (A)	Locked Rotor (Per Pole) (A)			Resistive Rating AC1 (A)	Reference
	AC 240V /AC 277V	AC 480 V	AC 600 V		
25	150	50	40	30	TCDP251-XX
30	150	75	50	40	TCDP301-XX
40	240	200	160	50	TCDP401-XX

1 Pole with Shunt

Full Load (Inductive) AC 8a (A)	Locked Rotor (Per Pole) (A)			Resistive Rating AC1 (A)	Reference
	AC 240V /AC 277V	AC 480 V	AC 600 V		
25	150	50	40	30	TCDP251S-XX
30	150	75	50	40	TCDP301S-XX
40	240	200	160	50	TCDP401S-XX

2 Pole

Full Load (Inductive) AC 8a (A)	Locked Rotor (Per Pole) (A)			Resistive Rating AC1 (A)	Reference
	AC 240V /AC 277V	AC 480 V	AC 600 V		
20	120	100	80	30	TCDP202-XX
30	150	125	100	40	TCDP302-XX
40	240	200	150	50	TCDP402-XX

3 Pole

Full Load (Inductive) AC 8a (A)	Locked Rotor (Per Pole) (A)			Resistive Rating AC1 (A)	Reference
	AC 240V /AC 277V	AC 480 V	AC 600 V		
20	120	100	80	30	TCDP203-XX
25	150	125	100	35	TCDP253-XX
30	180	150	120	40	TCDP303-XX
40	240	200	160	50	TCDP403-XX

Please replace XX with coil voltage code from the table given below.

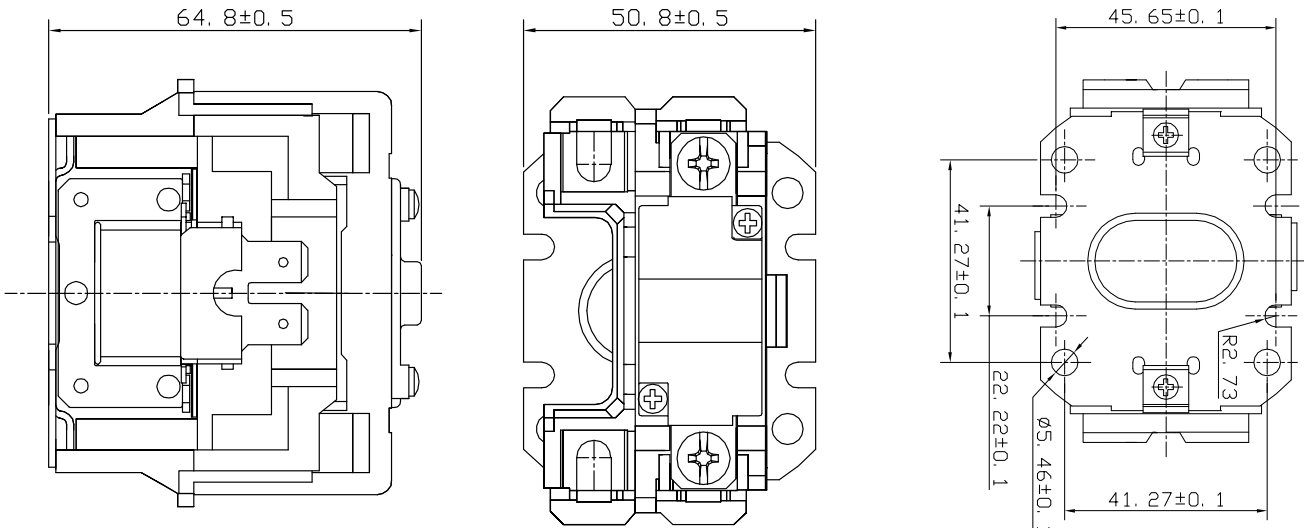
Coil Voltage

Volt AC	24	120	208	240	277	480
50 Hz	B5	G5	L5	U5	W5	T5
60 Hz	B6	G6	L6	U6	W6	T6
50/60 Hz	B7	G7	L7	U7	W7	T7

Dimensional Drawings

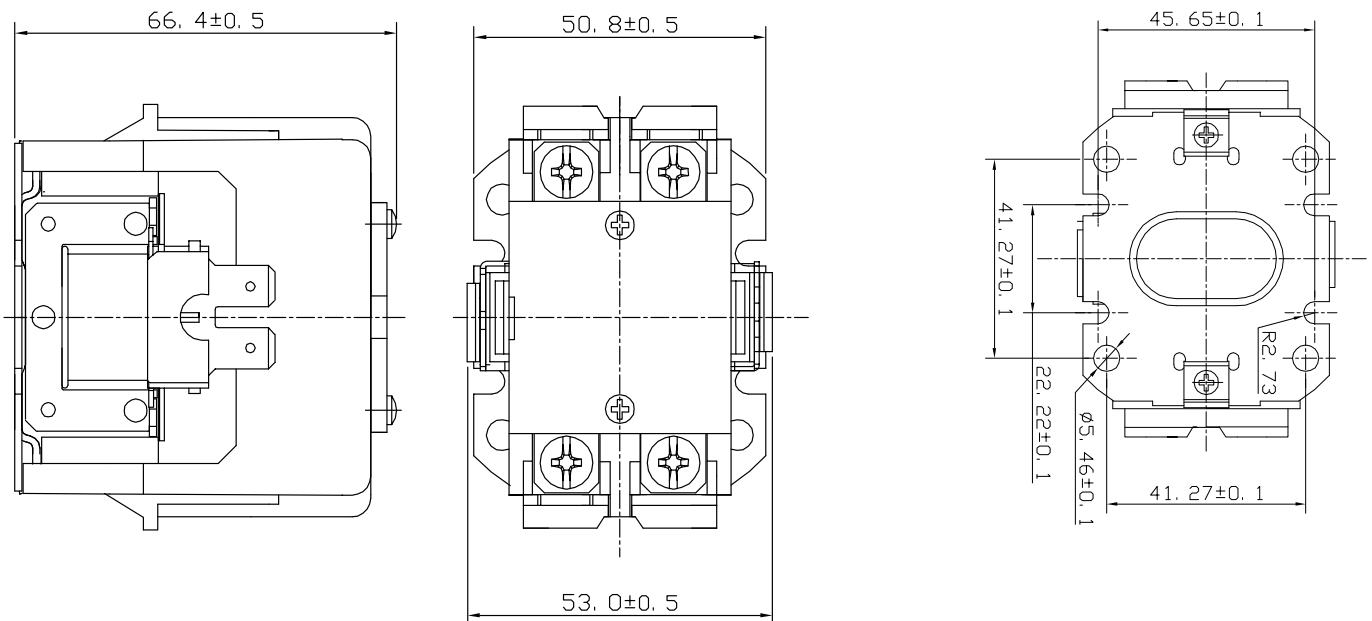
1 Pole

Mounting Arrangement



2 Pole

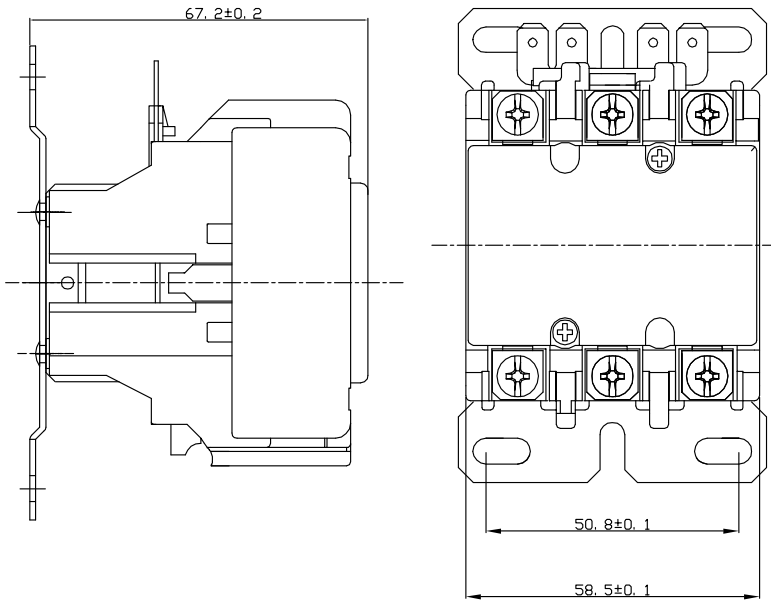
Mounting Arrangement



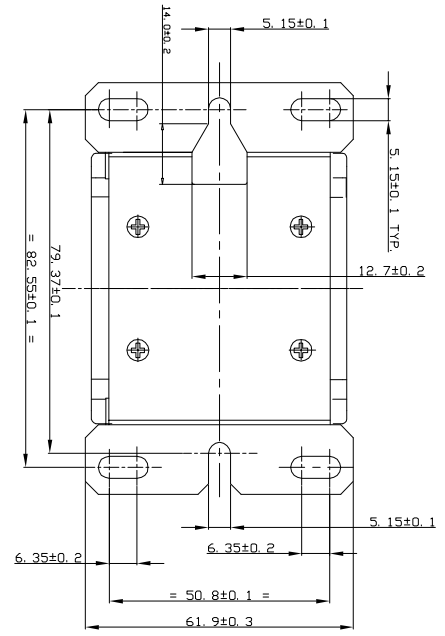
All dimensions are in mm

Dimensional Drawings

3 Pole



Mounting Arrangement



Marketing offices spread all over India

CENTRAL MARKETING OFFICE

C-60, Wing-A, Phase-II, Noida, District Gautam Budh Nagar, Uttar Pradesh-201 305 (INDIA)

Tel.: +91 120 387 4800 / 01 | Email : cmo@cselectric.co.in

CUSTOMER CARE

Toll Free Number: 1800 572 2012

E-mail: customercare@cselectric.co.in

NORTHERN REGION

DELHI

Email: cmo@cselectric.co.in

LUDHIANA

Email: ludhiana@cselectric.co.in

LUCKNOW

Email: lucknow@cselectric.co.in

KANPUR

Email: lucknow@cselectric.co.in

JAIPUR

Email: jaipur@cselectric.co.in

CENTRAL REGION

INDORE

Email: indore@cselectric.co.in

RAIPUR

Email: raipur@cselectric.co.in

NAGPUR

Email: nagpur@cselectric.co.in

EASTERN REGION

KOLKATA

Email: kolkata@cselectric.co.in

GUWAHATI

Email: guwahati@cselectric.co.in

RANCHI

Email: ranchi@cselectric.co.in

BHUBANESWAR

Email: bhubaneshwar@cselectric.co.in

WESTERN REGION

MUMBAI

Email: mumbai@cselectric.co.in

PUNE

Email: pune@cselectric.co.in

AHMEDABAD

Email: ahmedabad@cselectric.co.in

RAJKOT

Email: ahmedabad@cselectric.co.in

BARODA

Email: baroda@cselectric.co.in

SURAT

Email: surat@cselectric.co.in

SOUTHERN REGION

CHENNAI

Email: chennai@cselectric.co.in

COIMBATORE

Email: coimbatore@cselectric.co.in

KOCHI

Email: cochin@cselectric.co.in

MADURAI

Email: commercial,madurai@cselectric.co.in

BENGALURU

Email: bangalore@cselectric.co.in

HYDERABAD

Email: hyderabad@cselectric.co.in

VIJAYAWADA

Email: vijayawada@cselectric.co.in

RESIDENT ENGINEERS

AHMEDABAD: Visnagar **BANGALORE:** Bellary, Hassan, Hubli, Mangalore **BARODA:** Anand, Vapi **BHUBANESWAR:** Behrampur, Cuttack, Rourkela, Sambalpur **CHENNAI:** Vellore, Trichy **KOCHI:** Kollam **COIMBATORE:** Erode **DELHI & HARYANA:** Gurugram, Hissar, Panipat, **UP (W) & UK:** Agra, Bareilly, Dehradun, Ghaziabad, Meerut, Moradabad, Noida **GUWAHATI:** Silchar, Tezpur **HYDERABAD:** Karimnagar, Warangal **INDORE:** Bhopal, Gwalior, Jabalpur, Rewa, Ujjain **J&K:** Kashmir, Srinagar **JAIPUR:** Bhilwara, Bikaner, Jodhpur, Kota, Sikar, Udaipur **KOLKATA:** Bankura, Bardhaman, Siliguri **LUCKNOW:** Gorakhpur, Prayagraj, Shahjhanpur, Varanasi **LUDHIANA:** Amritsar, Barnala, Jammu, Mansa **MADURAI:** Nagercoil, Rajapalayam **MUMBAI:** Aurangabad, Nasik **NAGPUR:** Akola, Amravati, Chandrapur **PUNE:** Goa, Nasik, Kolhapur, Sangali, Solapur **RAIPUR:** Ambikapur **RAJKOT:** Bhavnagar, Jamnagar **RANCHI:** Dhanbad, Muzaffarpur, Patna, Purnia, Siwan **SURAT:** Aurangabad, Nasik **VIJAYAWADA:** Chittoor, Rajahmundry, Tirupathi, Vishakhapatnam

WAREHOUSES

National Warehouse

NOIDA

B-58, Sector-80, Phase-II, Noida, District Gautam Budh Nagar, Uttar Pradesh - 201305 INDIA
Ph.: +91 120 3857483/84/88/89

Regional Warehouses

INDORE

Liberty Agencies 53, Udyog Nagar, Near Musakhedi Square, Ring Road, Indore - 452001 INDIA
Ph.: +91 88780 62000 / 64000

RANCHI

Plot No. 145/C, Mandir Marg-D, Road No. 4, Ashok Nagar, Distt. Ranchi, Jharkhand - 834002 INDIA
Ph.: +91 651 2242202, 2242224

AHMEDABAD

B-25-B/C Meldi Industrial Estate, Opp. West Coast Pharmaceutical, Nr. Gota Over Bridge, Gota, Ahmedabad - 382481 INDIA
Mob.: +91 7698996868 / 6351725096,

BENGALURU

No. 25, Pattanagere Village, Kengeri Hobli, Rajarajeshwari Nagar, Bangalore - 560098 INDIA
Ph.: +91 80 29700265

