

We touch your **electricity** everyday!



# 2 Pole Contactor - AC2 D

C&S Electric 2 Pole Contactor type AC2D rating, 20 & 25A in common frame size, has been designed for single phase power control applications. These Contactors have heavy duty silver alloy contacts, extra thick inter-phase barriers, large terminal area, electromagnet for low voltage pick-up, to suite rugged Indian field conditions ensuring long trouble free service, conforming to IS 13947-4-1.

### Silent Features

- Rating 20 & 25A AC3 duty
- Snap fit top mounted Aux. contact: 2NO, 2NC, 1NO + 1NC
- Extra thick inter phase barrier assures long trouble free life
- High mechanical & electrical life
- Coils suitable for wide band operating range
- Din-Rail or Direct mounting options

### Applications

- Single Phase Pump Control Panel
- Machine Tools
- Welding Control
- Heater Control
- X-Ray Machines
- Deep Freezers
- 2 Phase convertor
- Building Automation



Front cover opening



Easy access to fixed/moving contact



Effort less contact removal



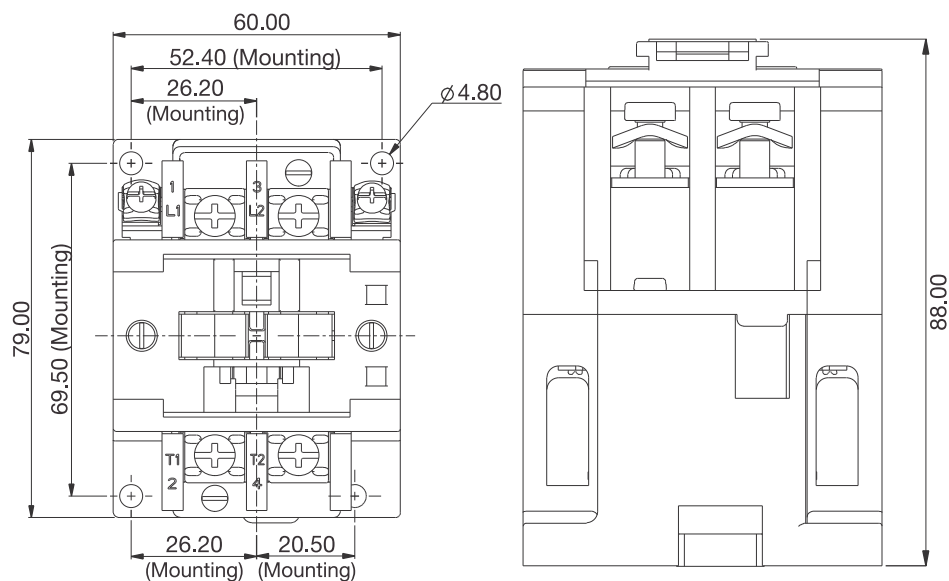
Easy inspection & replacement of contact

# 2 Pole Contactor - AC2 D

## Product Specifications

Contactor Reference	AC2D202		AC2D252
Contact Configuration		2 Pole / NO	
Thermal Rating (Ith) A	32		40
Insulation Voltage (Ui) V		660	
Rated operational Voltage (Ue) V, 50 Hz		240	
Rated Current (Ie) A	AC1, 240 V AC	32	40
	AC3, 240 V AC	20	25
Power Rating at 240VAC (AC3) KW/HP	3.8/5		4.8/6
Ambient Temperature		-40°C to +65°C	
Frequency of Operation		600 / Hour	
Mechanical Life (Million Operations)		5	
Electrical Life (Million Operations)		1	
Terminal Capacity		1x16mm <sup>2</sup> , 2x10mm <sup>2</sup>	
Add-On Aux. Contacts		Top Mounted	
Auxiliary Contact configuration		1NO + 1NC, 2NO, 2NC	
Thermal Rating of Auxiliary Contact		6A	
AC15 Rating of Auxiliary Contacts, 240V AC		4A	
Auxiliary Contact Terminal Capacity		2.5mm <sup>2</sup>	
Coil Consumption	Inrush (VA)	70	
	Sealed (VA)	7	
Coil Voltage Operating Range		- 30 to + 10% of Rated Voltage	
Coil Insulation Class		H Class	
Coil Voltage 50 Hz AC		220V, 220 / 240V, 380/415V	

## Dimensional Drawing



# 4 Pole Contactor TC1 - DX

4 Pole Contactor type TC1-DX has been engineered for superior performance under arduous Indian tropical conditions, conforming to IEC 60947-4-1; IS 13947-4-1. It's robust construction with heavy duty silver alloy contacts, encapsulated coil to withstand wide voltage fluctuations delivers long life. Contactor is ideally suitable for stand alone applications such as welding, compressor & pump control etc.

## Feature, Advantage & Benefits

### Robust construction: Superior Performance

- Thick inter-phase moulding walls with liberal clearance & creepage minimises phase to phase shorting risk, assures safety & durability
- Encapsulated H class magnet coil withstand wide voltage range
- Provision of pole spring locator for ease of moving contact positioning in contact carrier

### Long Life

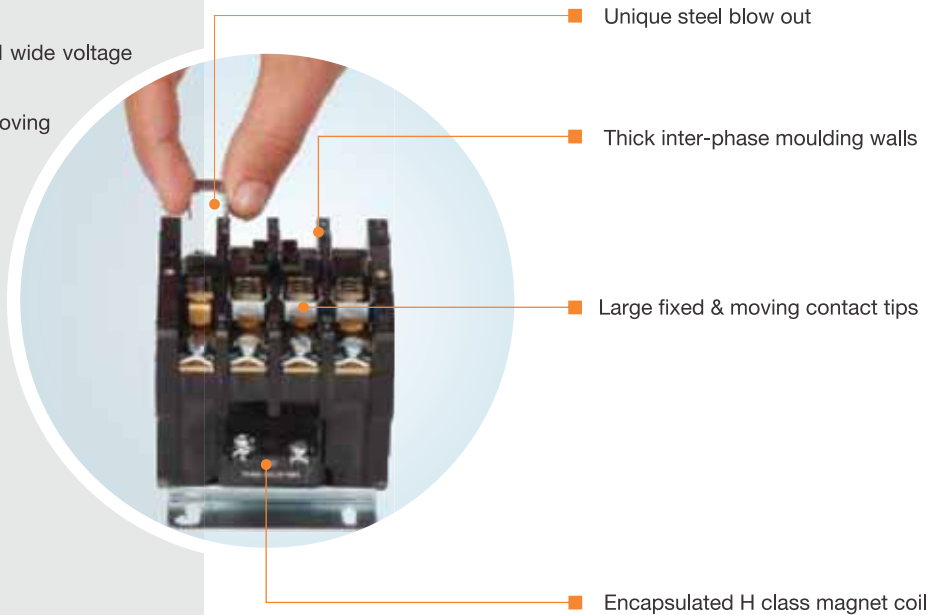
- Unique steel Blow-Out design ensures quick arc quenching for long electrical endurance
- Fixed/Moving contacts with large dia silver alloy tips ensures operational longevity

### Easy Maintenance

- Field replaceable Fixed / Moving contacts
- Easy coil replacement, when required

### User Friendly

- Front & side mounted Add-On block options
- Provision of Mechanical Interlock facility
- Large terminal capacity

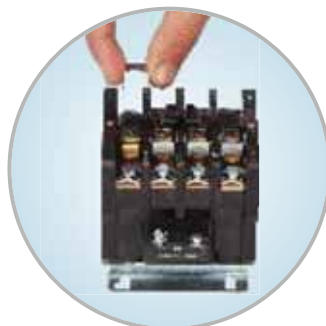


## Easy Maintenance

- Heavy Duty 4 Pole contactor affords extremely easy maintenance
- Moving contact can be inspected / replaced, if required, easily without any tool
- Fixed contact are also replaceable with ease when required
- Easy coil replacement
- Contactor maintenance requires low down time



Front top cover opening



Easy access to blow-out & moving contacts



Effortless removal of moving contacts



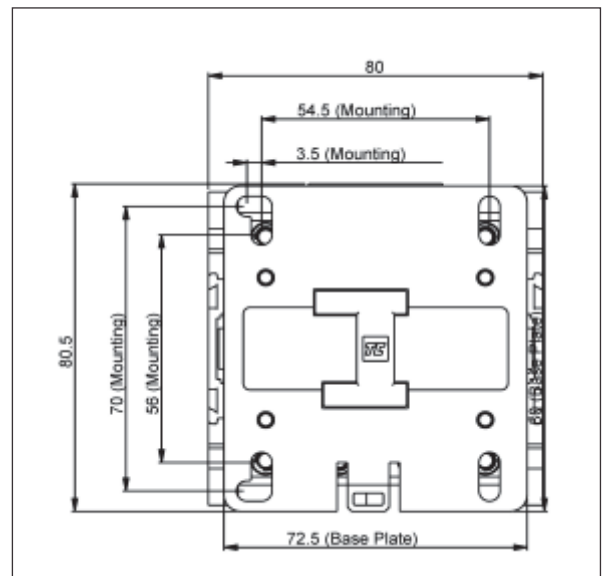
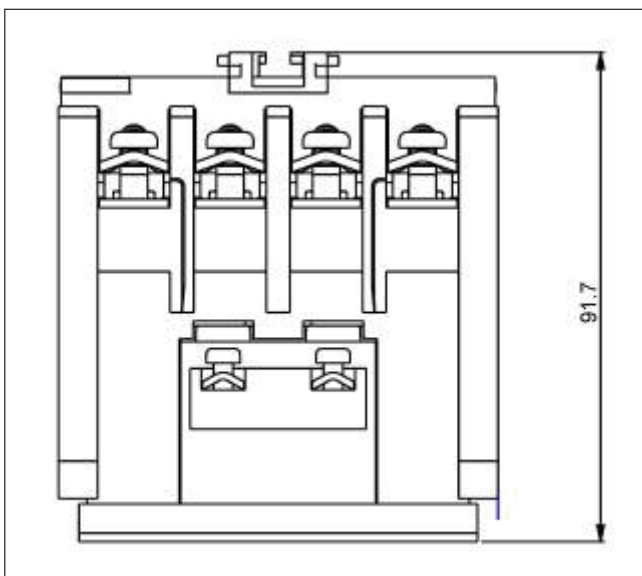
Fixed & moving contacts- easy inspection and replacement

# 4 Pole Contactor TC1 - DX

## Technical specifications

Contactor Reference	TCI-DX204	TCI-DX254	TCI-DX404
Power Pole	4	4	
Thermal Current I <sub>th</sub> (Amps)	32A	40A	65A
Current Rating AC3 Duty, 415VAC	20A	25A	40A
Power Rating at 415VAC, kW/HP	9/12.5	11/15	22/30
Rated Operational Voltage (U <sub>e</sub> ) 50Hz	415V		
Insulation Voltage AC (U <sub>i</sub> )	690 V		
Ambient Temperature	- 5 °C to +55 °C		
Max. Frequency of Operation (AC3)	600 Operations/Hour		
Electrical Life	1 Million Operations		
Mechanical Life	5 Million Operations		
Terminal Capacity	1x16 mm <sup>2</sup> , 2x10 mm <sup>2</sup>		
Add -On -Auxiliary Contact	Top & Side mounted		
Auxiliary Contact configuration	Upto 4 auxillary contacts		
Coil Voltage Operating Range	50% to 110% of Rated Voltage.		
Coil Voltage 50Hz AC	110V, 220V, 380V, 415V		
Contactor Mounting	Individual Mounting		
Mechanical Interlock	Common for all rating		
Pick up	50% max. of rated voltage		
Drop out	30% to 40% of rated voltage		
Coil consumption VA	Sealed VA < 20VA		
Coil insulation class	H (180°C) Class		
Type of coil	Encapsulated		

## Dimensional Drawing





## Marketing Offices spread all over India

### CENTRAL MARKETING OFFICE

222, Okhla Industrial Estate, Phase - III, New Delhi - 110 020

Ph. : (+91 11) 3384 9000 - 09 • Fax : (+91 11) 26847342 • E-Mail : cmo@cselectric.co.in

### CUSTOMER CARE

Toll Free Number: 1800 3010 2012

#### NORTHERN REGION

##### DELHI

Ph. : (+91 11) 3384 9000 - 09

Fax : (+91 11) 26847342

E-Mail : cmo@cselectric.co.in

##### CHANDIGARH

Ph. : (+91 172) 3021144

Fax : (+91 172) 2631059-3201144

E-Mail : chandigarh@cselectric.co.in

##### LUDHIANA

Ph. : (+91 161) 2541900, 2541800

Fax : (+91 161) 2541900, 2541800

E-Mail : ludhiana@cselectric.co.in

##### LUCKNOW

Ph. : (+91 522) 3917843, 4102044

E-Mail : lucknow@cselectric.co.in

##### KANPUR

Ph. : (+91 522) 3917843, 4102044

E-Mail : kanpur@cselectric.co.in

##### INDORE

Ph. : (+91 731) 4035761, 3918020

E-Mail : indore@cselectric.co.in

##### RAIPUR

Ph. : (+91 771) 4061404

E-Mail : raipur@cselectric.co.in

##### NAGPUR

Ph. : (+91 712) 2565215 , 2547295

Fax : (+91 712) 2528923

E-Mail : nagpur@cselectric.co.in

#### EASTERN REGION

##### KOLKATA

Ph. : (+91 33) 39212100-01

Fax : (+91 33) 22275849

E-Mail : kolkata@cselectric.co.in

##### GUWAHATI

Ph. : (+91 361) 2469950

E-Mail : guwahati@cselectric.co.in

##### RANCHI

Ph. : (+91 651) 2242202, 2242224

E-Mail : ranchi@cselectric.co.in

##### BHUBANESWAR

Ph. : (+91 674) 2580788, 9778070465

E-Mail : bhubaneswar@cselectric.co.in

#### WESTERN REGION

##### MUMBAI

Ph. : (+91 22) 24114727-28, 30484071-73

Fax : (+91 22) 24126631

E-Mail : mumbai@cselectric.co.in

##### AHMEDABAD

Ph. : (+91 79) 30653015

Fax : (+91 79) 30074519

E-Mail : ahmedabad@cselectric.co.in

##### BARODA

Ph. : (+91 265) 2339479, 2356293

Fax : (+91 265) 2338754

E-Mail : baroda@cselectric.co.in

##### PUNE

Ph. : (+91 20) 30283239 - 40

Fax : (+91 20) 30283239

E-Mail : pune@cselectric.co.in

##### SURAT

Ph. : (+91 261) 6544024-28

E-Mail : surat@cselectric.co.in

##### JAIPUR

Ph. : (+91 141) 4037651

Fax : (+91 141) 4033954

E-Mail : jaipur@cselectric.co.in

#### SOUTHERN REGION

##### CHENNAI

Ph. : (+91 44) 33534500-01

Fax : (+91 44) 39180514

E-Mail : chennai@cselectric.co.in

##### COIMBATORE

Ph. : (+91 422) 3048406 - 20

Fax : (+91 422) 3048412

E-Mail : coimbatore@cselectric.co.in

##### KOCHI

Ph. : (+91 484) 3071715 (10 LINES)

Fax : (+91 484) 3071716

E-Mail : cochin@cselectric.co.in

##### MADURAI

E-Mail : commercial.madurai@cselectric.co.in

##### BENGALURU

Ph. : (+91 80) 3065 9400

Fax : (+91 80) 25594939

E-Mail : bangalore@cselectric.co.in

##### SECUNDERABAD

Ph. : (+91 40) 48534080

Fax : (+91 40) 27812987

E-Mail : hyderabad@cselectric.co.in

##### VIJAYAWADA

Ph. : (+91 866) 2496265 / 67

E-Mail : vijayawada@cselectric.co.in

### RESIDENT ENGINEERS

Agra | Allahabad | Aurangabad | Bareilly | Bhopal | Dehradun | Goa | Gorakhpur | Haridwar | Hubli | Jabalpur | Jammu | Kolhapur | Kollam | Mangalore | Mehsana | Nashik | Patna | Rajkot | Rourkela | Siliguri | Srinagar | Tirupathi | Trichey | Udaipur | Una | Vapi | Visakhapatnam

### WAREHOUSES

#### NATIONAL WAREHOUSE

NOIDA - A-7 & 8, Sector-VIII, Noida -201 301, Distt. Gautam Budh Nagar, (UP) Ph.: (+91 120) 3914301-02 Fax: (+ 91 120) 3914303

#### REGIONAL WAREHOUSES

DELHI	Khasra No. 915 & 916, 2nd Floor, Near Rice Mill, Village Rithala, Delhi-85 Ph.: (+91 11) 27049211
LUCKNOW	3rd Floor, E-143, Phase-I, Transport Nagar, Kanpur Road, Lucknow - 17 Ph.: (+91 522) 4103460
INDORE	Liberty Agencies 53, Udyog Nagar, Near Musakhedi Square, Ring Road, Indore-452001 Ph.: (+91) 88780-62000 / 64000
KOLKATA	113, Chetla Road, New Alipur, Kolkata - 700 053, Ph.: (+91 33) 22275849 - 51
RANCHI	Plot No. 145/C, Mandir Marg-D, Road No. 4, Ashok Nagar, Distt. Ranchi, Jharkhand - 834002 Ph.: (91 651) 2242202, 2242224
BHUBANESWAR	Rasharaj Geetikunj, Plot No. 224/A, Sec-A, Zone-B, Mancheswar Industrial Estate, Bhubaneswar-751 010 Ph.: (+91 674) 2580788
MUMBAI	E-5, Parasnath Complex. Gala No.8, Village 'VAL' Dapode Road, Taluka Bhiwandi, District, Thane - 421302 Ph.: (+91 2522) 314830
AHMEDABAD	B-25-B/C Meldi Industrial Estate, Opp. West Coast Pharmaceutical, Nr. Gota Over Bridge, Gota, Ahmedabad - 382481 Ph.: (+91 79) 65453044
BENGALURU	No. 17, 1st Main Road, Sampangiram Nagar, Bengaluru - 560 027 Ph.: (+91 80) 41125467

