

We touch your **electricity** everyday!

CSFPI-C1

Short Circuit & Earth Fault Passage Indicator

CSFPI
CSFPI
CSFPI
CSFPI
Series



Catalogue

INDEX

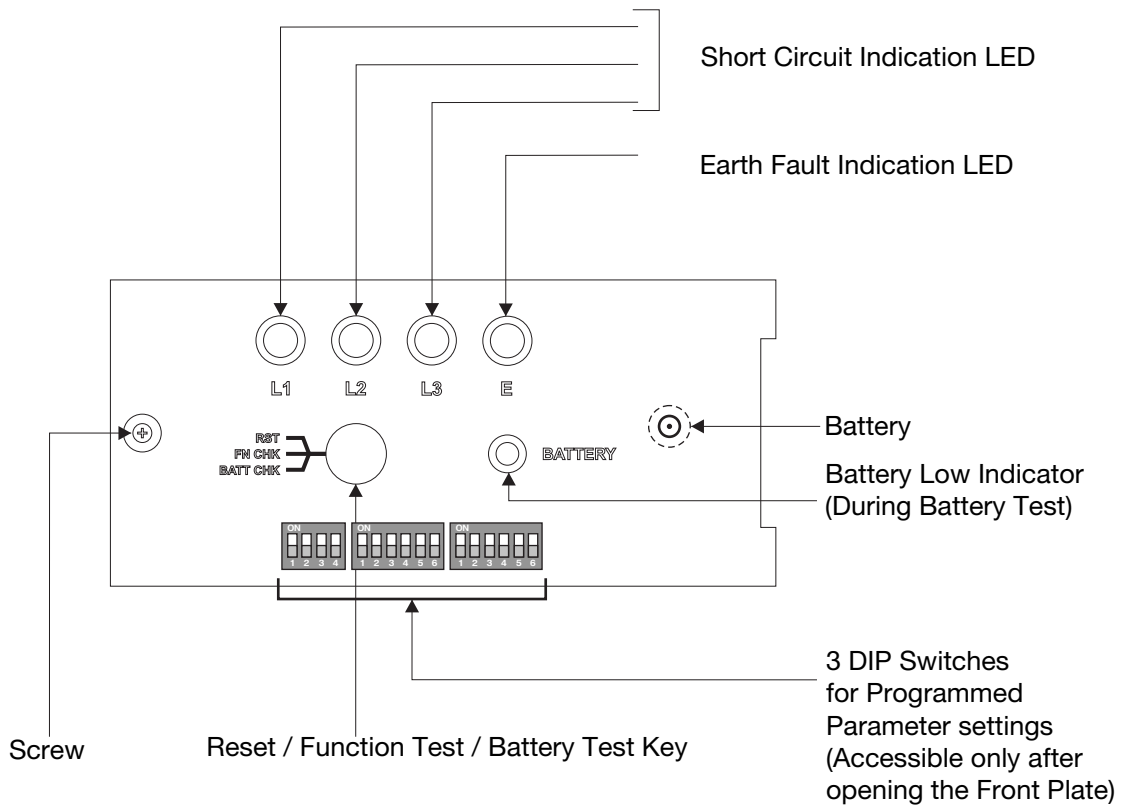


S.No. Description

1. Introduction
2. Features
3. Functional Description
4. Front Interface
5. Connection Diagram
6. General Data
7. Short Circuit Sensor Type
8. Earth Fault Sensor Type
9. Dimension Details
10. Ordering Information (Indication Unit)
11. Ordering Information (Sensor Unit)
12. Revision History

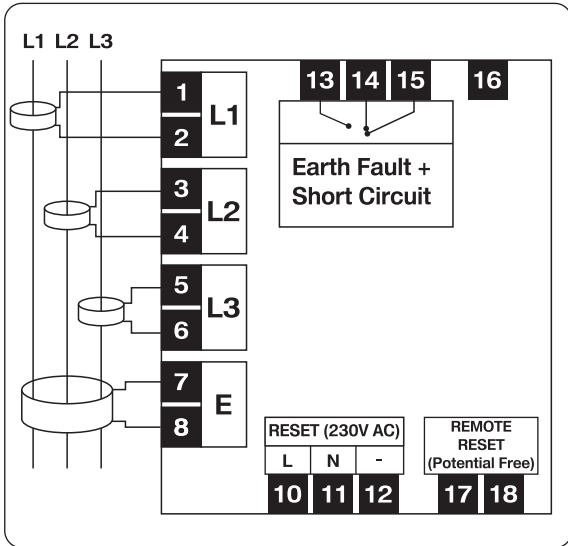


Front Interface

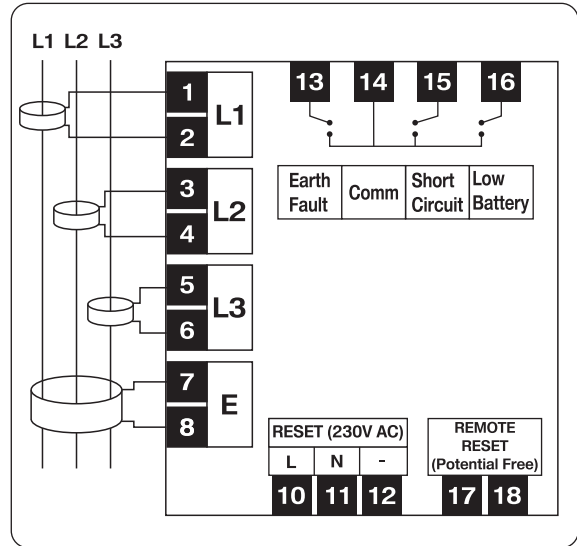


Note: open the Front plate by removing the front screw to access the DIP switch setting.

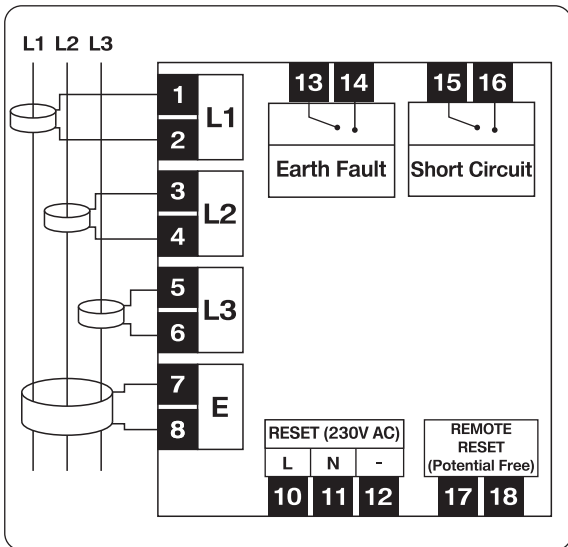
Connection Diagram



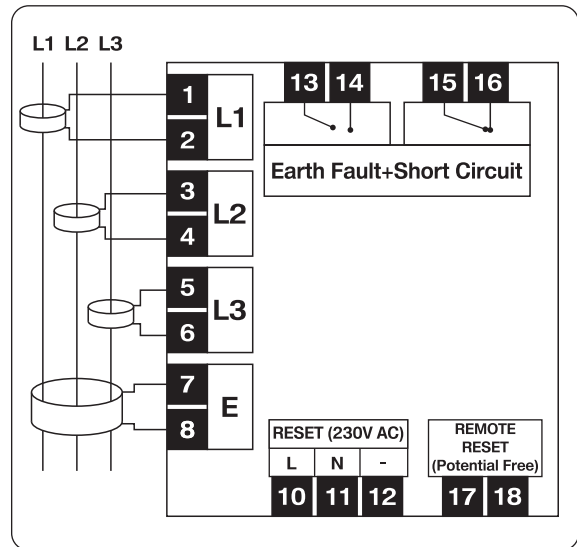
CSFPI-E-B-x



CSFPI-E-D-x



CSFPI-E-C-x



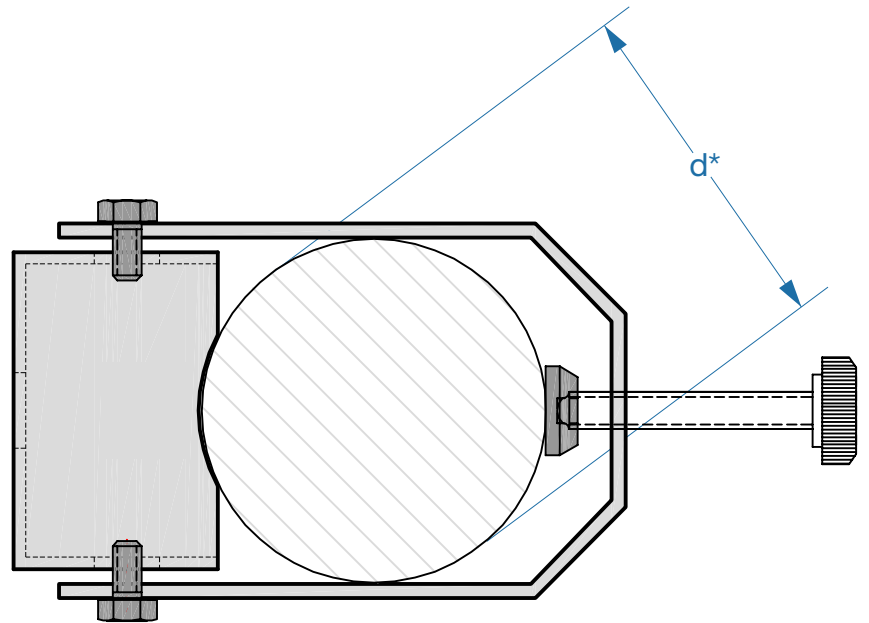
CSFPI-E-G-x

General Data

Parameters	Description
Short-Circuit Trip Current (Phase to Phase)	: Adjustable: : 100/ 200/ 300/ 400/ 500/ 600/ 700/ 800/ 900/ 1000/ 1100/ 1200 A ($\pm 15\%$) **
Earth-Fault Trip Current (Phase to Ground)	: Adjustable: : 10 / 20 / 30 / 40 / 60 / 80 / 100 A ($\pm 15\%$) **
Short-circuit Response Time	: Adjustable: : 40 / 60 / 80 / 100 / 120 / 160 / 200 / 500 ms ($\pm 100\text{mSec}$)
Earth Fault Response Time	: Adjustable : 40 / 80 / 200 / 500 ms ($\pm 100\text{mSec}$)
Indication Unit	: Suitable for panel installation
Indication of	
a) Short-Circuit	: a) One Red LED for each Phase
b) Earth-Fault	: b) One Red LED for Earth-Fault
c) Battery	: c) One Yellow LED for Battery Low
Reset of the Indicator	: a) Manual by push-button : b) Remote Reset (Potential Free Input) : c) Automatic Reset by Time : 1 / 2 / 4 / 8 ($\pm 5\%$) hours after fault : d) Self-acting after recovering of operating current after fault (only in case of short circuit fault) : e) Self-acting if current doesn't cut off within 3 sec. after fault : f) Self-acting after recovering of 230V AC/DC (Range: 22V - 260V AC/DC)
On Site Function Test	: By Push-Button
Dimensions	: Indication Unit : 97.75 mm x 51.75 mm x 92.0 mm (WxHxD)
Protection Class	: Indication Unit - IP50 : Sensors - IP67
Type Test	: According to IEEE 495-2007
Operation Temperature Range	: -25°C to $+70^{\circ}\text{C}$
Power Supply	: Lithium Battery 3.6V / 2.7 Ah
SCADA Contact *	: Max. 3 Latch Contacts : Nominal Switching Capacity : 2A 30V DC, 0.5A 125V AC (Resistive Load) : Max. Switching Power : 60W, 60VA (Resistive Load) : Max. Switching Voltage : 220V DC, 250V AC
Short-Circuit Sensor (CT)	: Three Short Circuit Sensors Type CS-x-PS-x-x for Three Core Cable (One Sensor for each core) : Diameter & Length: various option available (Based on ordering information)
Earth-Fault Sensor (CT)	: One Earth-Fault Sensor Type CS-x-ES-x-x for a Three-Core Cable : Diameter & Length: various option available (Based on ordering information)
Connection & Mounting	: Screwed Terminal Connector at the rear side of the Unit. Panel mount.

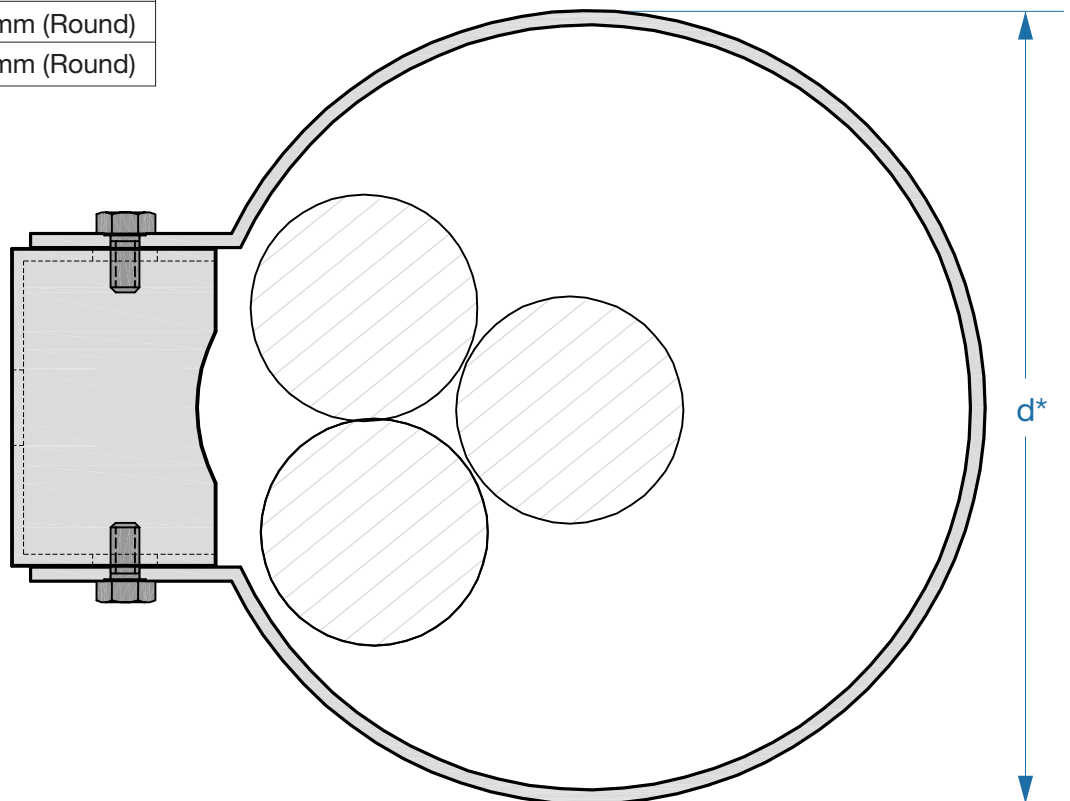
Short Circuit Sensor Type (CS-x-PS-x-x)

Sensor dia (d)	Cable Dia
D1	15-25 mm (Round)
D2	18-44 mm (Round)
D3	40-60 mm (Round)



Earth Fault Sensor Type (CS-x-ES-x-x)

Sensor dia (d)	Cable Dia
D1	80-100 mm (Round)
D2	100-120 mm (Round)
D3	120-140 mm (Round)



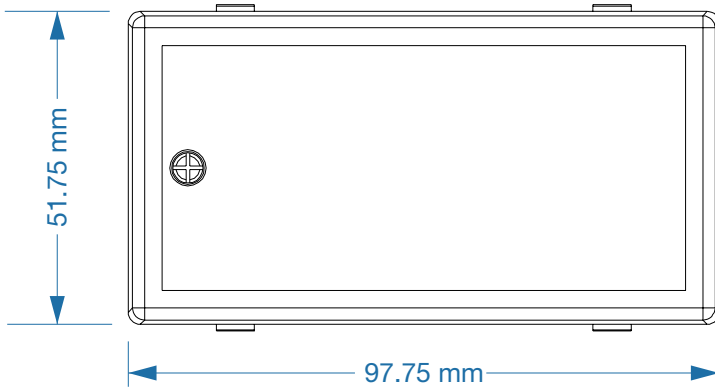
Sensor Diameter (d *) & Sensor Cable (2 Wire, 6mm dia, FR Grade type) Length : based on sensor ordering information

Dimension Details

Panel cut out Dimension	
Width	: 91.0 mm
Height	: 46.0 mm
Installation Depth	: 84.0 mm

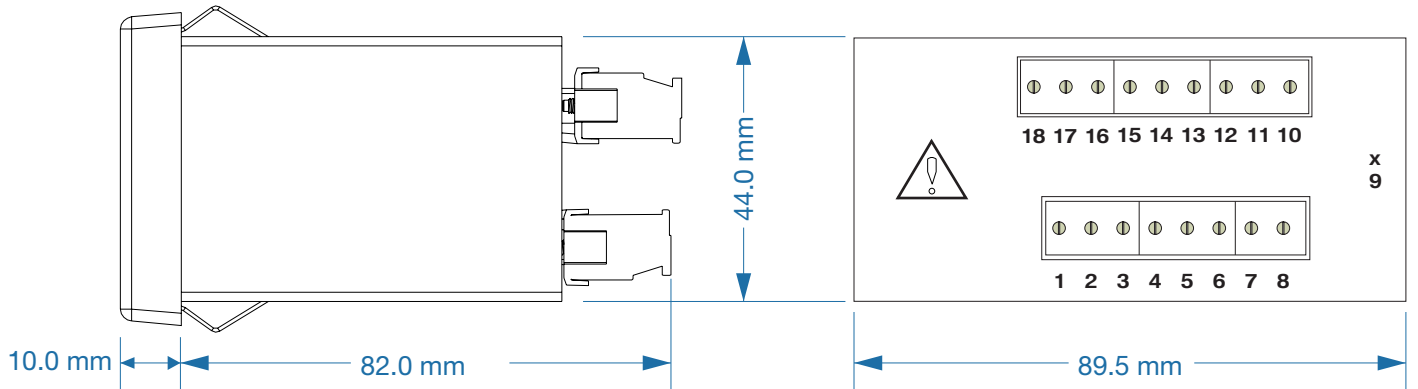


FRONT VIEW OF PHASE & EARTH FAULT INDICATOR

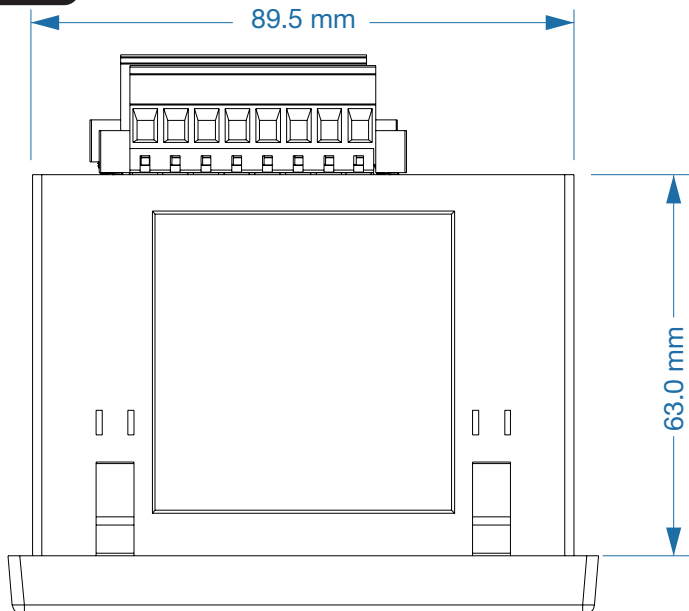


SIDE VIEW

BACK VIEW



TOP VIEW



Ordering Information (Indication Unit)

CSFPI - **E** - **X** - **H** - **C1**

- B : (Short ckt + Earth Fault) Indicator with 1 C/O Digital Output (Short Ckt+ Earth Fault)
- C : (Short ckt + Earth Fault) Indicator with 2 Digital Output [1 N/O Digital Output (Short Ckt) + 1 N/O Digital Output (EarthFault)]
- D : (Short ckt + Earth Fault) Indicator with 3 Digital Output [1 N/O Digital Output (Short Ckt) + 1 N/O Digital Output (EarthFault) + 1 N/O Digital Output (Low Battery)]
- G : (Short ckt + Earth Fault) Indicator with 1 N/O+1 N/C Digital Output (Short Ckt+ Earth Fault)

All the models have internally Battery Backup.

Ordering Information (Sensor Unit)

CS - **E** - **X** - **X** - **X**

PS : Short Circuit Sensor
ES : Earth Fault Sensor

Dx : Sensor Diameter (Refer Sensor Details)

1: Wire Length from Sensor to Indicator 1.5 Meter
3: Wire Length from Sensor to Indicator 3.0 Meter

