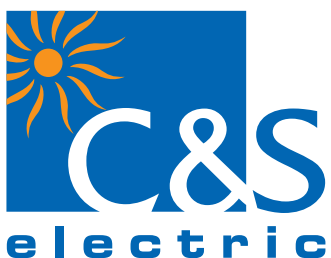


WiNbreak1

An Absolute Solution for
Distribution & Protection



 **RoHS**
Compliant



Moulded Case Circuit Breakers

CSE-Series



WiNbreak1

An Absolute Solution for
Distribution & Protection

WiNbreak1 CSE Series MCCB is an incredibly innovative high quality circuit breaker supported with state-of-the-art manufacturing technologies, contemporary design, ergonomics and compactness.

WiNbreak1 CSE Series MCCB in compliance with latest standard IS/IEC60947-2

WiNbreak1 CSE Series MCCB provides accurate and impeccable protection against overload and short circuit which ensures utmost performance, reliability and complete safety. The high breaking capacity of these MCCBs reflects the robustness of its design and ensures high electrical and mechanical life.

MCCB | CSE Series

Range: 16~400A

Breaking Capacity: 25kA, 35kA, 36kA, 50kA

Ui: 750V

Uimp: 8kV

Protection of power distribution system

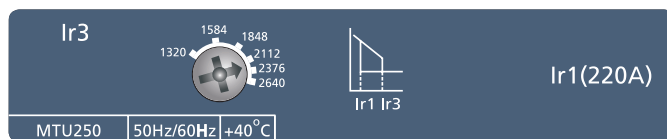
FMU - Adjustable Thermal
& Fixed Magnetic Trip unit



ATM - Adjustable thermal
adjustable magnetic trip unit



MTU - Magnetic only trip unit
(for Motor Protection)



ETM - "MicroPro WB"
Microprocessor (LSIGN) multi function unit



Technical Specification

CSE2	N		250		ATM		3P	-	Current Rating		
Frame Size	Breaking Capacity @ 415V AC		Ampere Frame		Trip Unit		Poles	Connection	(A)		
CSE1	M	25kA	CSE1	125AF	Thermal Magnetic	FMU	Adjustable Thermal Fixed Magnetic	3P 4P	Front Connection	CSE1	16, 20, 25, 32, 40, 50, 63, 80, 100, 125
CSE2	N	35kA	CSE2	250AF		ATM				Adjustable Thermal Adjustable Magnetic	CSE2
CSE3	S	50kA	CSE3	400AF	*Magnetic	MTU	Magnetic only			CSE3	250, 320, 350, 400
					MicroProcessor	ETM	MicroPro WB (LSIGN) Adjustable				

Electrical Characteristics			CSE1			CSE2			CSE3		
Frame size	[AF]		125			250			400		
Rated current, In	[A]		16, 20, 25, 32, 40, 50, 63, 80, 100, 125			125, 160, 200, 250			250, 320, 350, 400		
Poles			3, 4			3, 4			3, 4		
Rated operational Voltage (Max.), Ue AC	[V]		690			690			690		
DC	[V]		250			250			250		
Rated impulse withstand Voltage, Uimp	[kV]		8			8			8		
Rated insulation voltage, Ui	[V]		750			750			750		
Category of Utilization			A			A			A		
Reference Standard			IS/IEC60947-2			IS/IEC60947-2			IS/IEC60947-2		
Rated ultimate short circuit breaking capacity, Icu			M	N	S	M	N	S	M	N	S
AC 50/60Hz	220/240V	[kA]	35	50	75	35	50	75	35	50	75
	380/415V	[kA]	25	35	50	25	35	50	25	36	50
	440/460V	[kA]	15	25	37	15	25	37	15	25	37
	480/500V	[kA]	10	18	25	10	18	25	10	18	25
	600/690V	[kA]	5	5	7	5	5	7	5	5	7
DC (3 Pole in Series)	250V	[kA]	25	35	42	25	35	42	25	36	42
Rated service breaking capacity Ics as%Icu	*		100%	100%	100%	100%	100%	100%	100%	100%	100%
Trip Unit (Release)											
- Fixed Magnetic Unit (FMU)						available					
- Adjustable Thermal Magnetic (ATM)						available					
- Magnetic Unit (MTU)						available					
- Adjustable Microprocessor (ETM)						available					
Isolation Behaviour						available					
Total Opening Time						<10m sec.					
Mechanical Life [operation]			20000			20000			10000		
Electrical Life [operation]			5000			5000			3000		
Basic Dimension - WxHxD (mm)			3 Pole		92 x 150 x 81	108 x 165.8 x 81		150 x 260 x 110			
			4 Pole		122.5 x 150 x 81	142.5 x 165.8 x 81		198 x 260 x 110			
Weight (Kg)			3 Pole		1.65	2.2		4.8			
			4 Pole		1.98	2.65		5.8			
Mounting Positions						Vertical and 90° in both direction					

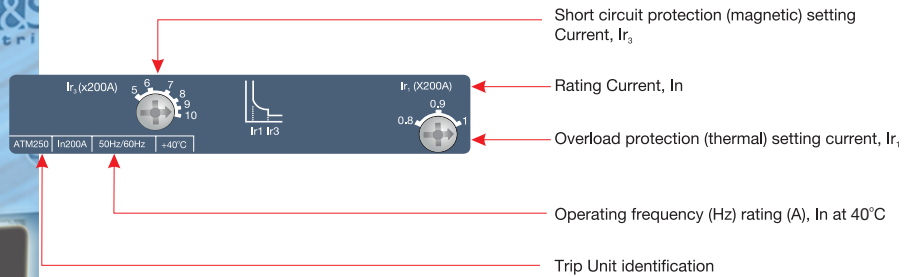
Internal Accessories		
- Auxiliary Switch		●
- Trip Alarm Switch		●
- Auxiliary & Trip Alarm Switch		●
- Shunt Release [voltage]	24V DC, 48V DC, 110V DC, 220V AC, 415V AC	
- Under Voltage Release [voltage]	24V DC, 48V DC, 110V DC, 220V DC, 220V AC, 415V AC	24V AC/DC, 45V AC/ DC 110V DC, 220V AC, 415V AC
External Accessories		
- Rotary Operating Mechanism		●
- Key Lock		●
- Mechanical Interlock		●
- Direct Pad Lock		●
- Extended Terminal		●

● Internal & External accessories available. Maximum possibilities of internal accessories, please refer page no. 7

MCCB with Magnetic Trip Release (for motor protection) is also available. For technical detail, please contact to nearest Branch Office.

* Available in 75% Icu & 50 Icu.

Trip Release



Thermal Magnetic Trip Units FMU, ATM																
Trip Unit Rating, I_n (A)	16	20	25	32	40	50	63	80	100	125	160	200	250	320	350	400
CSE1	■	■	■	■	■	■	■	■	■	■						
CSE2										■	■	■	■			
CSE3													■	■	■	■

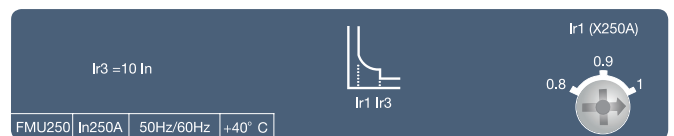
■ Available

Overload Protection - Thermal		
Current Setting (A) I_{r1}	FMU	Adjustable 0.8 to x 1 I_n
	ATM	Adjustable 0.8 to x 1 I_n

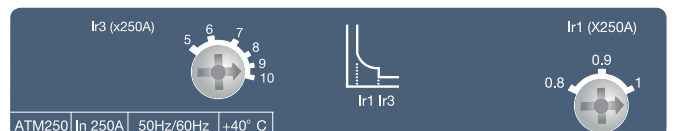
Short Circuit Protection - Magnetic		
Current Setting (A) I_{r3}	FMU	Fixed 10 x I_n
	ATM	Adjustable 5, 6, 7, 8, 9, 10 x I_n (6 settings)

Protection of N Pole	
4P	Neutral Protection (100% I_{r1})
3P+SN	Neutral No Protection

Adjustable Thermal, Fixed Magnetic trip units			
FMU	Rated Current	Adjustable Thermal	Fixed Magnetic
	16A...50A	0.8~1 x I_n	10 x I_n



Adjustable Thermal, Adjustable Magnetic trip units			
ATM	Rated Current	Adjustable Thermal	Fixed Magnetic
	63A...400A	0.8~1 x I_n	5-10 I_n



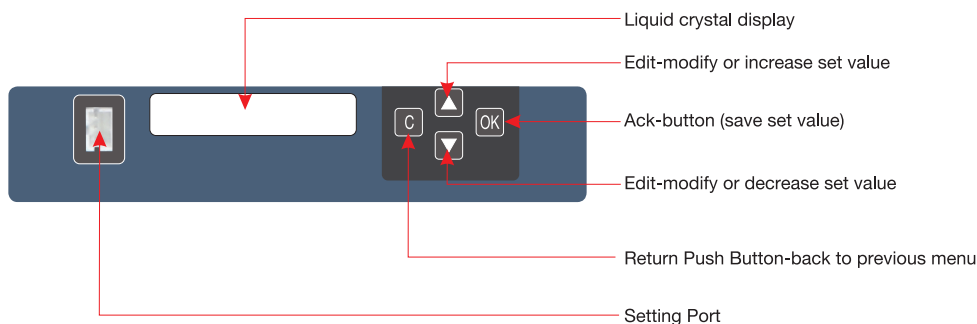
Trip Release

MCCB for power distribution microprocessor Trip Unit "MicroPro WB" for CSE1, CSE2, CSE3

- Adjustable Over Load from 0.4~1.0 In
- Adjustable Short Circuit from 2~12 Ir
- Instantaneous Protection available (4~14) Ir
- Inbuilt Ground fault Protection available 20% to 100% of In
- Adjustable neutral overload protection available: 50% to 100% of Ir
- Adjustable Current imbalance protection available: (30%~70%) of Ir
- Thermal Memory: ON/OFF
- Setting Port: Apply DC 12V power supply from outside
- View Last Trip information
- Default display Line current+Ground current, Line current +N Phase current
- Wide Range of Internal and External Accessories
- LCD display

Microprocessor (LSIGN) multi function Trip Unit ETM (MicroPro WB)												
Trip Unit Rating, In (A)	40	50	63	80	100	125	160	200	250	320	350	400
CSE1	■	■	■	■	■	■						
CSE2						■	■	■	■			
CSE3									■	■	■	■






■ Available



Setting Values		
Overload protection (long time)	Setting current (A), Ir	Adjustable (0.4~1.0) In, in step of .01
	Tripping time (s) at 2Ir	Adjustable 12s, 60s, 80s, 100s at 2Ir
Short-circuit protection (short time)	Tripping threshold (A), Isd	Adjustable (2~12) Ir + OFF in step of .01
	Time delay (tsd)	Adjustable 0.1s, 0.2s, 0.3s, 0.4s at 1.5Isd
Short-circuit protection (instantaneous)	Tripping threshold(A), Ii	Adjustable (4~14)Ir + OFF in step of .01
	Adjustable (4~14)Ir + OFF in step of .01	
Earth Fault protection	Setting Current (A), Ig	Adjustable (0.2-1.0) In + OFF in step of .01
	Time delay (tg)	Adjustable 0.1s, 0.2s, 0.3s, 0.4s at 6Ig
Neutral protection, Ir	50%, 100% and OFF	
Current Imbalance protection	(30%-70%) & OFF	
Time delay	<10s	

Internal Accessories

Electrical Auxiliaries of 125AF - 400AF

	<p>Shunt Trip (SHT) The shunt trip opens the mechanism in response to an externally applied voltage signal. Shunt trips include clearing contacts that automatically clear the signal circuit when the mechanism has tripped.</p>
	<p>Under Voltage trip (UVT) The under voltage trip coil automatically opens a circuit breaker when voltage drops to a value ranging between 35% to 70% of the line voltage. The operation is instantaneous and the circuit breaker cannot be re-closed until the voltage returns to 85% of line voltage. Continuously energized, the under voltage trip must be operating before the breaker can be closed.</p>
	<p>Auxiliary Switch (AX) Auxiliary switch is for applications requiring remote ON and OFF indication. Each switch contains two contacts having a common connection. One is open and the other closed when the circuit breaker is open and vice-versa.</p>
	<p>Alarm Switch (AL) Alarm switches offer provisions for immediate audio or visual indication of a tripped breaker due to overload, short-circuit, operation of shunt trip or under voltage trip conditions, operation of push button. They are particularly useful in automated plants where operators must be signaled about changes in the electrical distribution system. This switch features a closed contact when the circuit breaker is operated manually. Its contact is open when the circuit breaker is reset.</p>
	<p>Combination Switch (AX+AL) It consists of one Auxiliary Switch (AX) and Alarm Switch (AL) in a body to connect into the same position in the breaker</p>

Maximum Possibilities for Internal Accessories

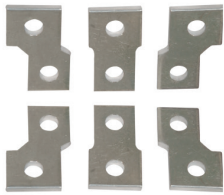
FOR MCCB - CSE1, CSE2 (16~250A)				FOR MCCB - CSE3 (250~400A)			
MCCB with Thermal Release		MCCB with MicroProcessor Release		MCCB with Thermal Release		MCCB with MicroProcessor Release	
3 Pole	4 Pole	3 Pole	4 Pole	3 Pole	4 Pole	3 Pole	4 Pole

● Alarm Switch ○ Auxiliary Switch ▲ Under Voltage Release
■ Shunt Release □ Combination Switch (AX+AL) ⊗ No seat available

Notes:

- 3Pole, MCCB with Thermal Release, Any two accessories can be fitted at one time
- 4Pole, MCCB with Thermal Release, Any Three accessories can be fitted at one time
- 3Pole MCCB with Microprocessor Release, Right hand seat is not available. Hence, one accessories can be fitted at one time.
- 4Pole MCCB with Microprocessor Release, Any two accessories can be fitted at one time.
- UVT can be fitted only in left hand seat.

External Accessories



Extended Terminals

It is recommended to use extended terminals for enhancing terminal capacity and phase clearance.



Mechanical Interlocking Device

The Mechanical Interlock (MIT) can be applied on the front of two breakers mounted side by side, in either the 3-Pole or 4-Pole version and prevents simultaneous closing of the two breakers. Fixing is carried out directly on the cover of the breakers.



Removable locking device

This device allows the handle to be locked in the OFF Position.

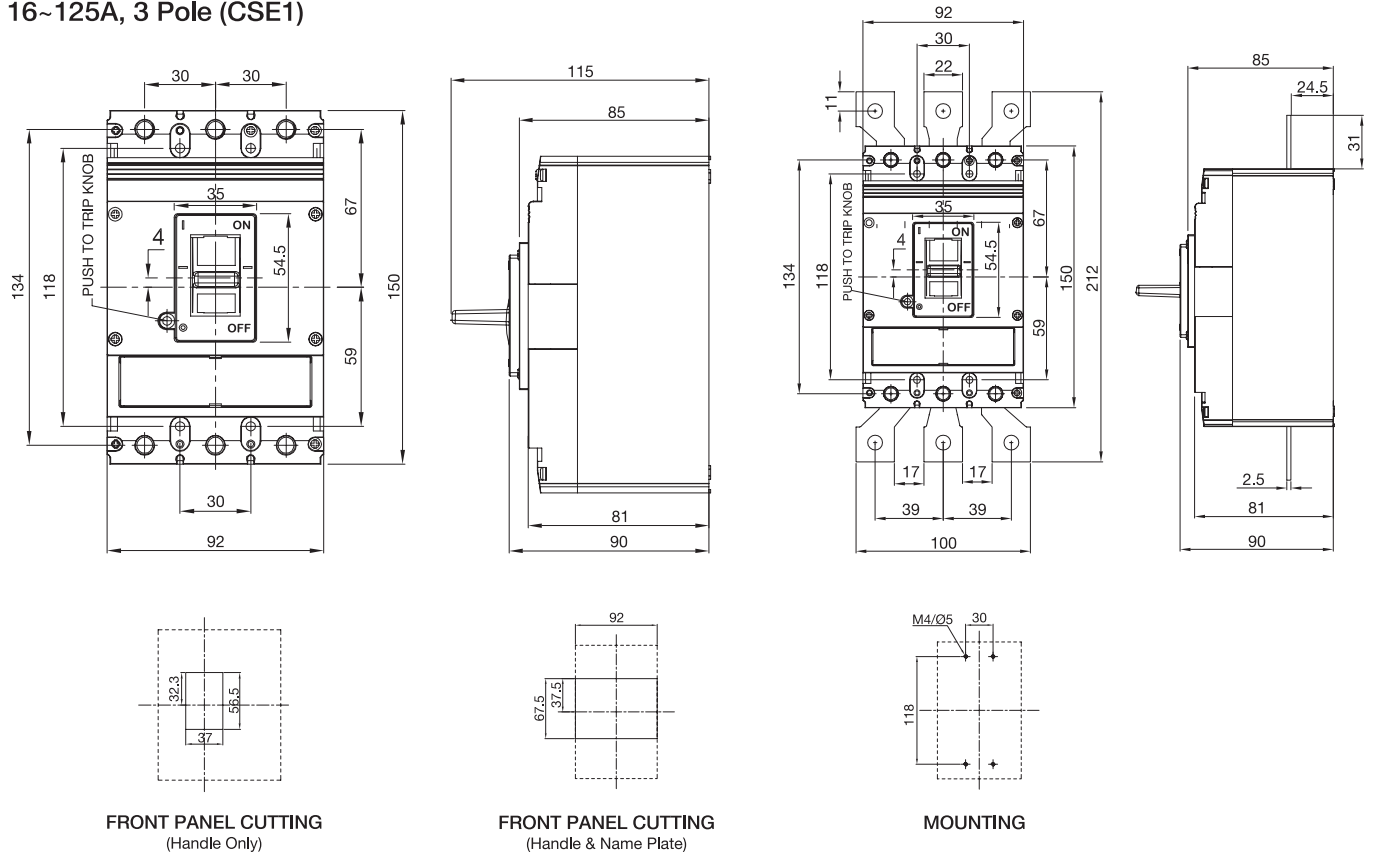


Key Lock

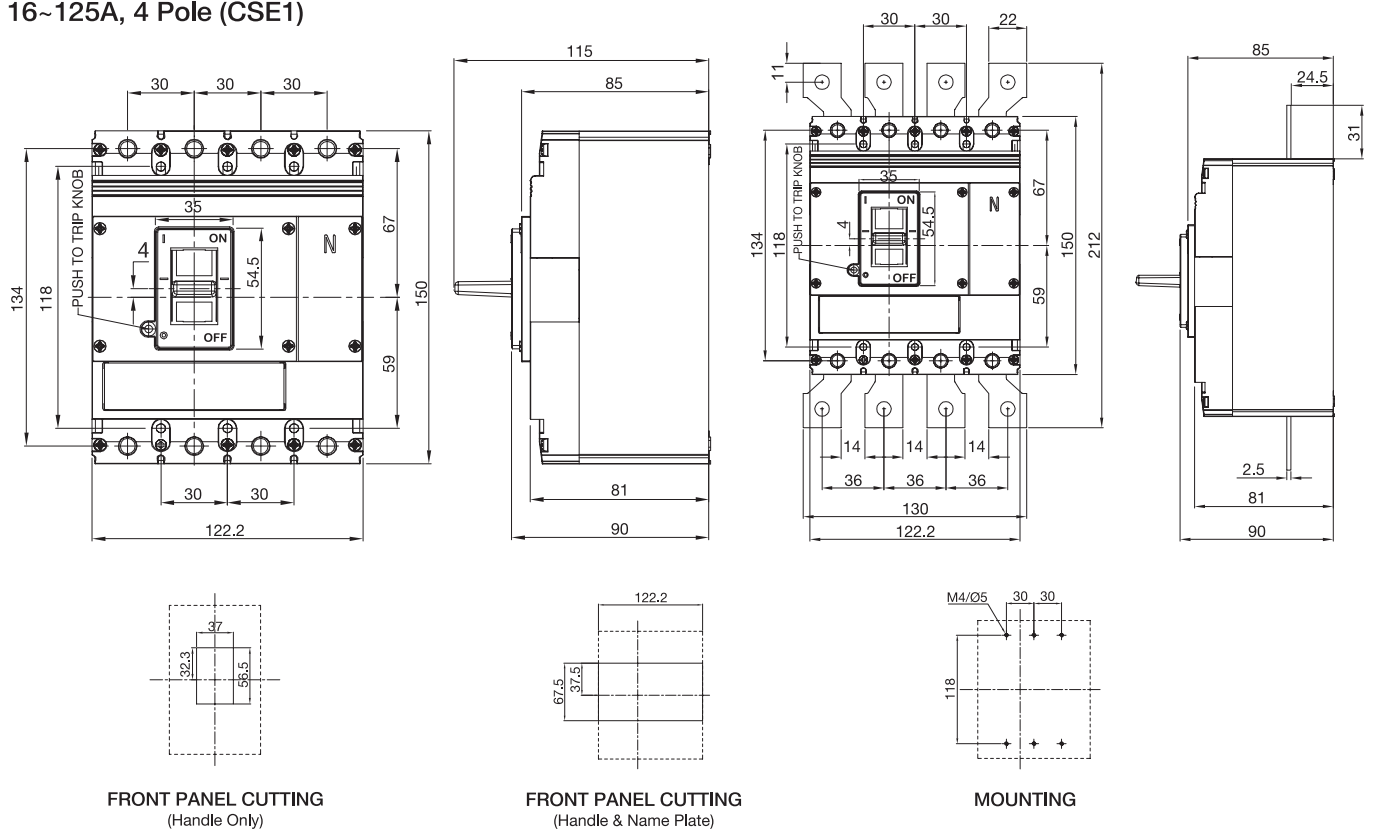
This device is used to lock the circuit-breaker in TRIP & OFF position.

Dimensions

16~125A, 3 Pole (CSE1)



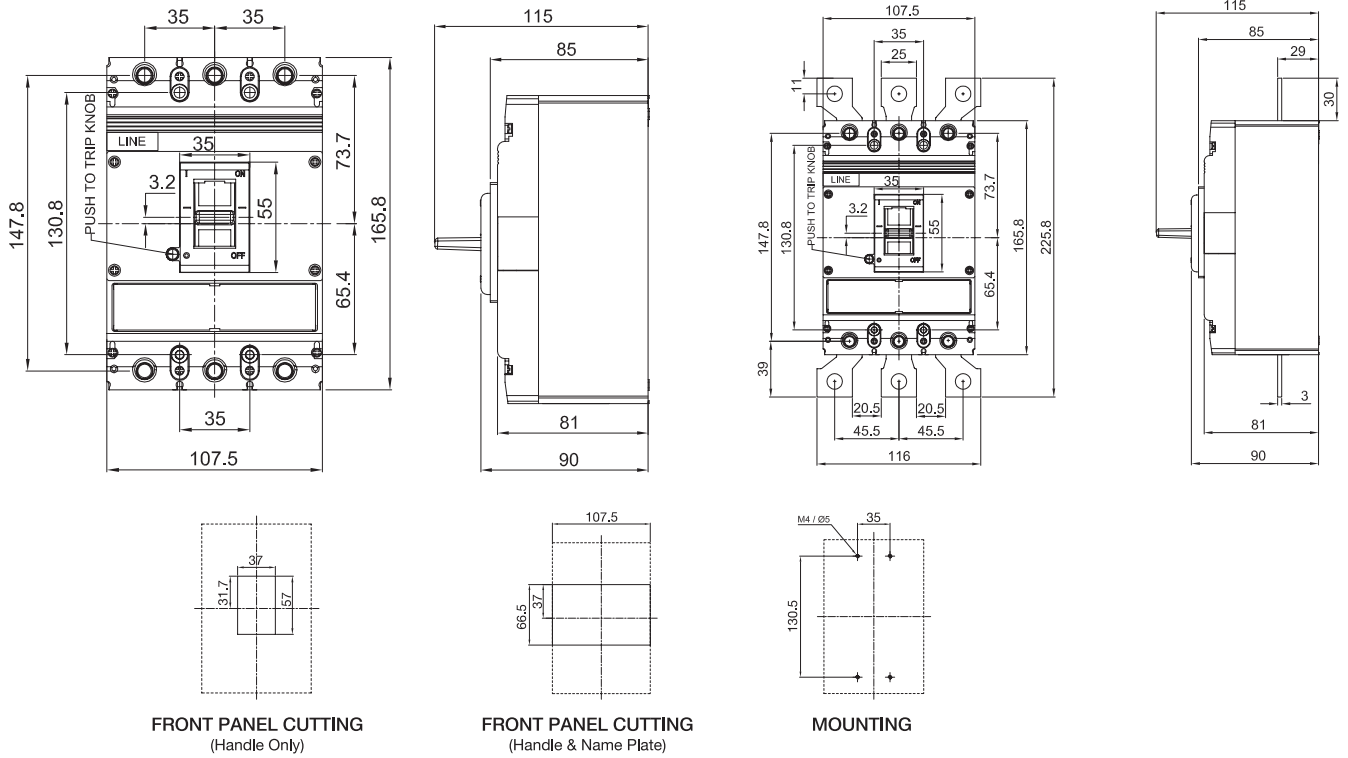
16~125A, 4 Pole (CSE1)



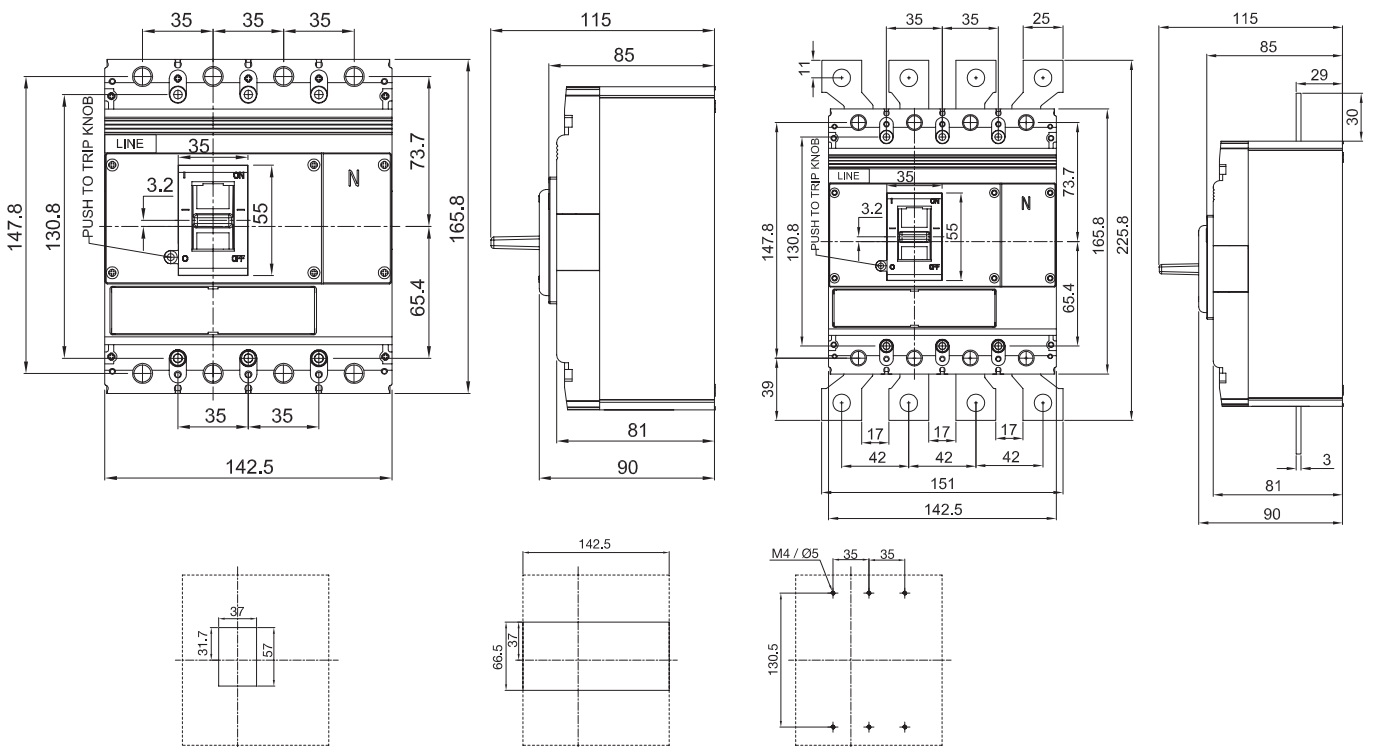
All dimensions are in mm

Dimensions

125~250A, 3 Pole (CSE2)



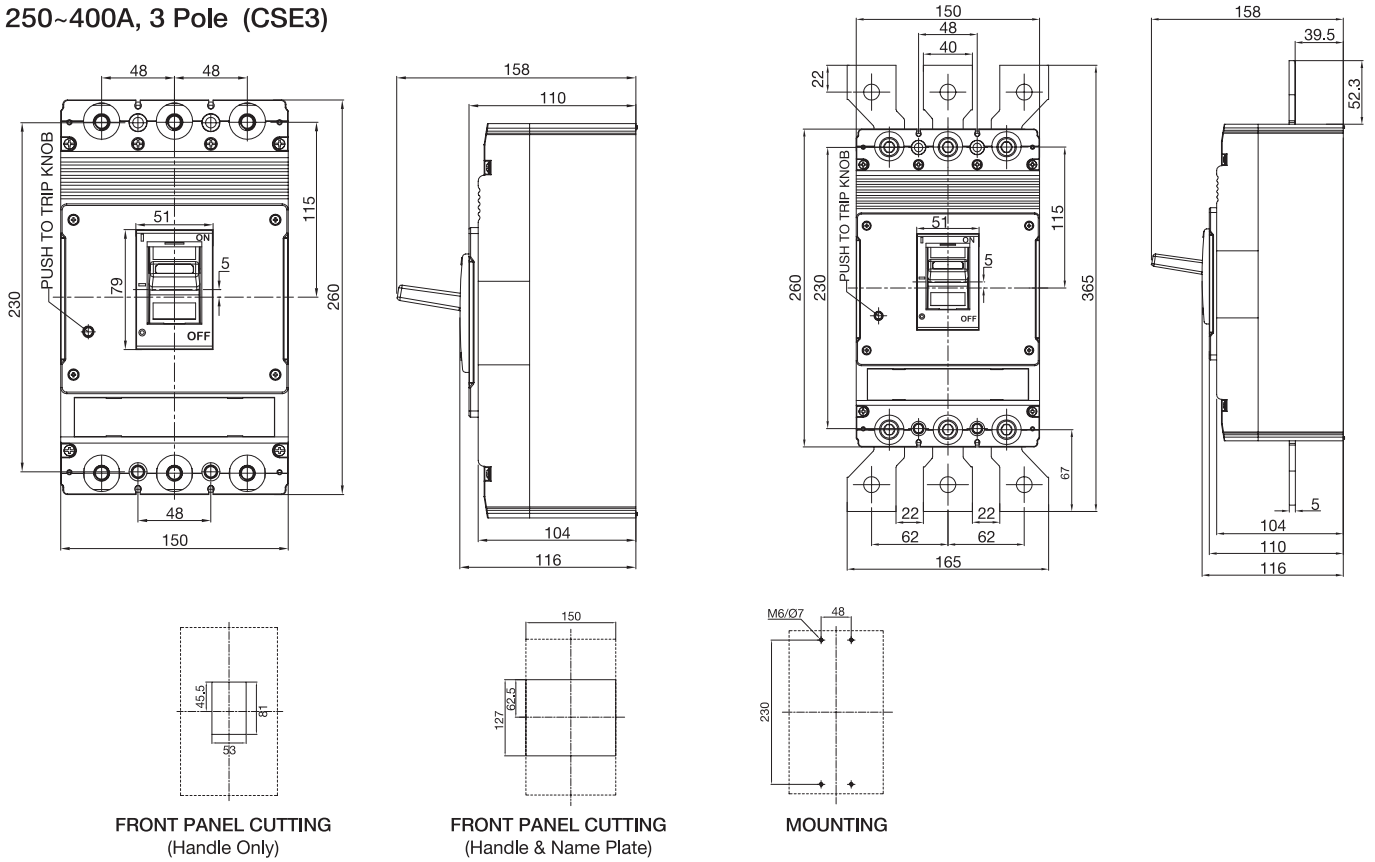
125~250A, 4 Pole (CSE2)



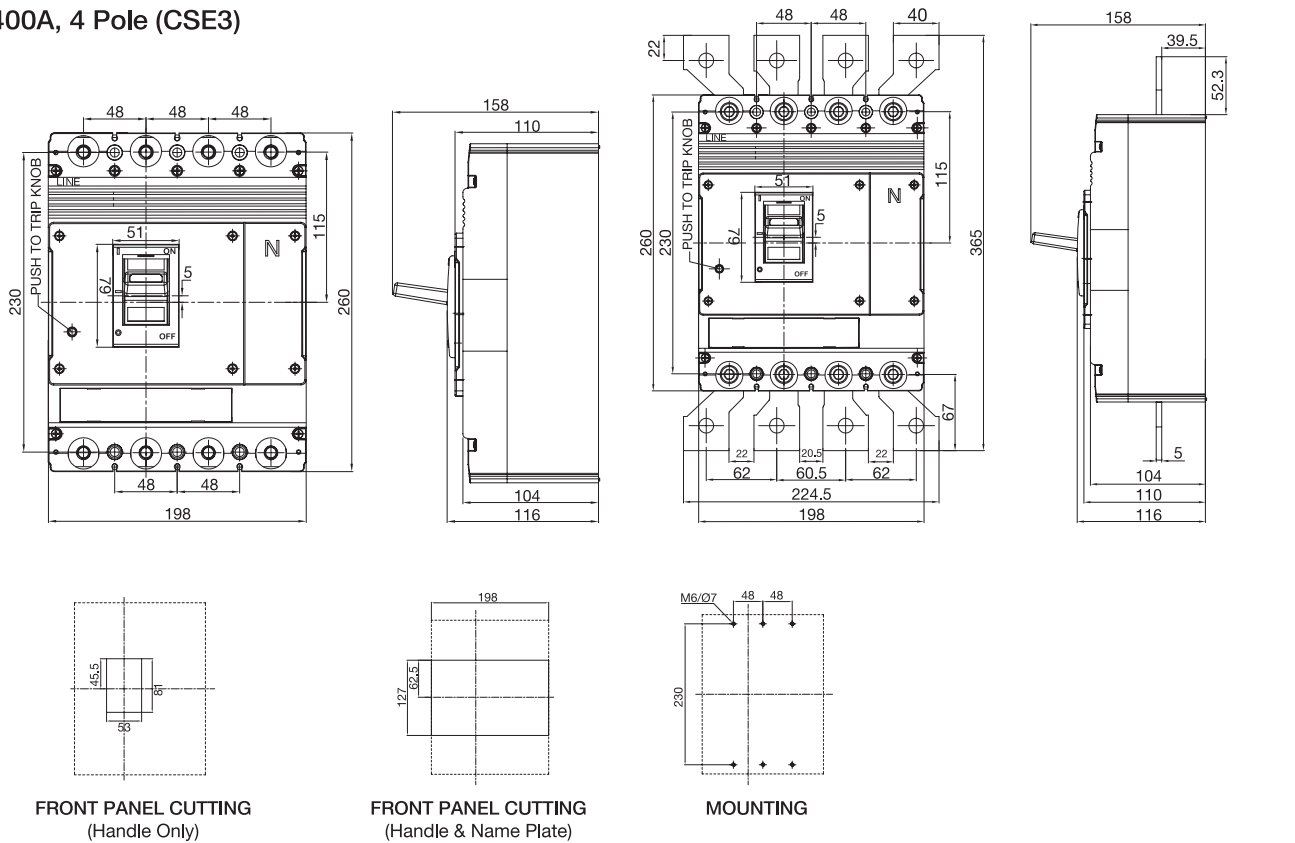
All dimensions are in mm

Dimensions

250~400A, 3 Pole (CSE3)



250~400A, 4 Pole (CSE3)

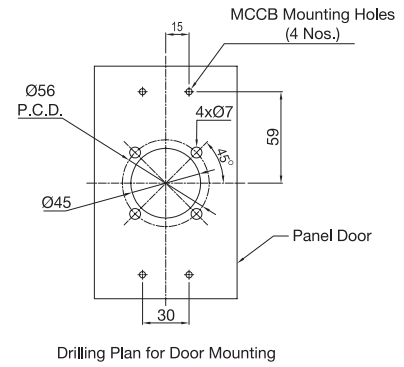
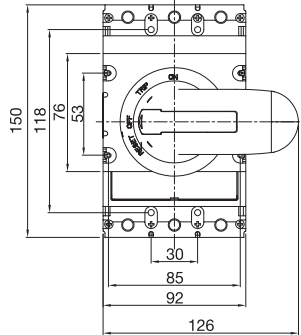
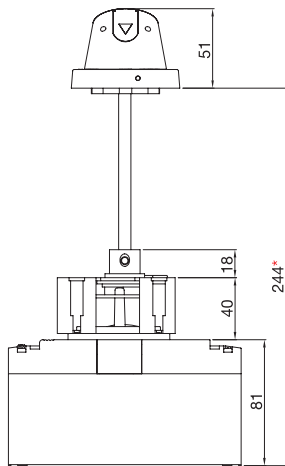


All dimensions are in mm

Dimensions

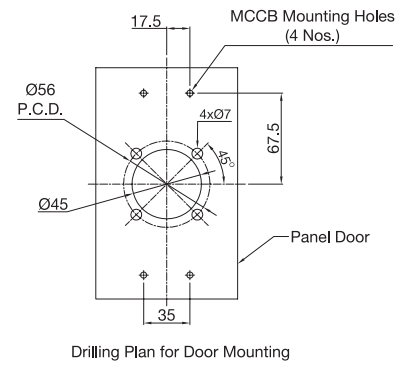
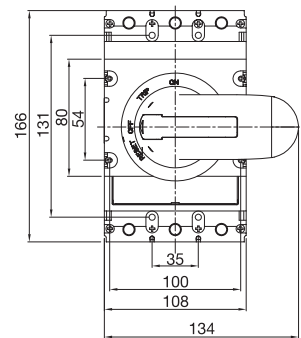
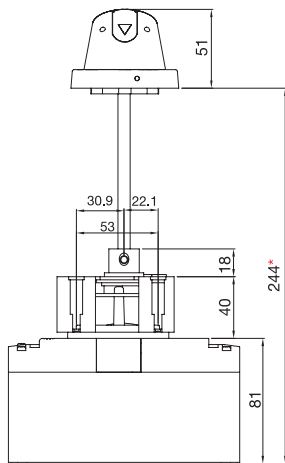
Rotary Handle for CSE1 (125AF) FMU / ATM / ETM

EHW1-125



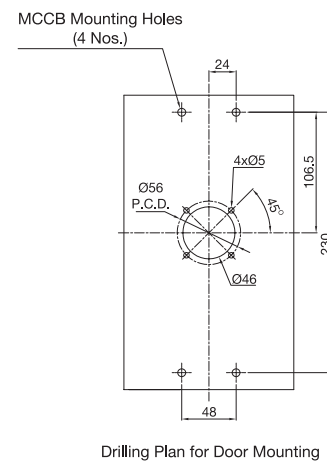
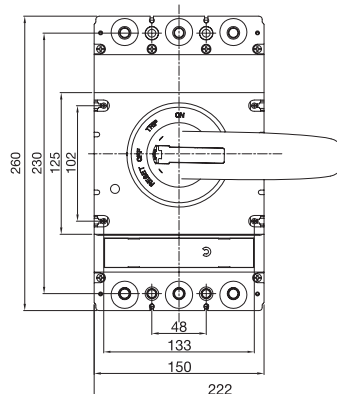
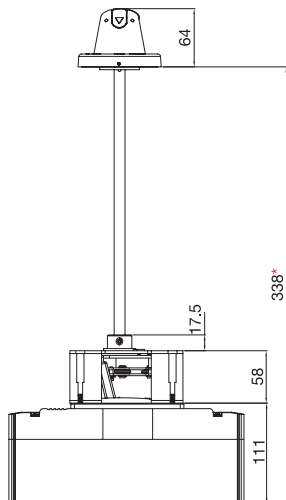
Rotary Handle for CSE2 (250AF) ATM / ETM

EHW1-250



Rotary Handle for CSE3 (400AF) ATM

EHW1-400

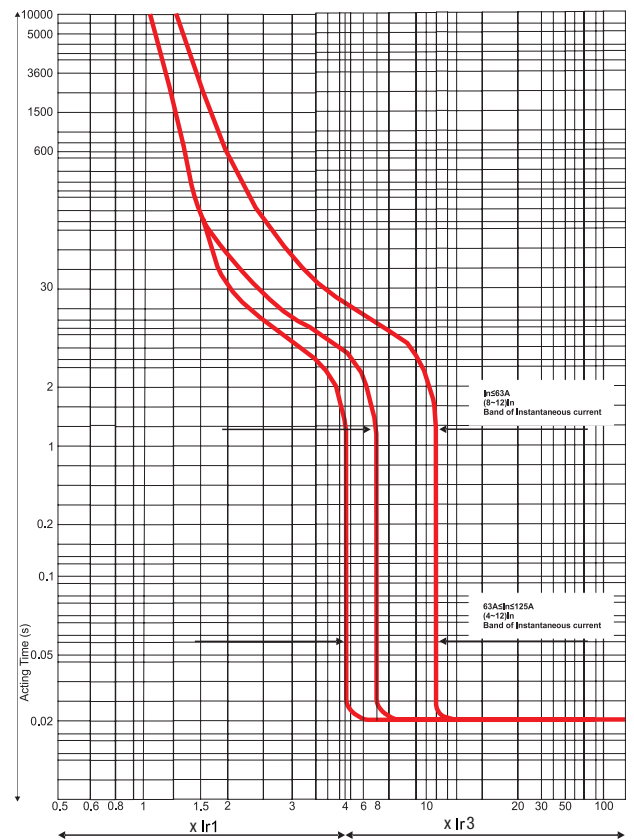


All dimensions are in mm

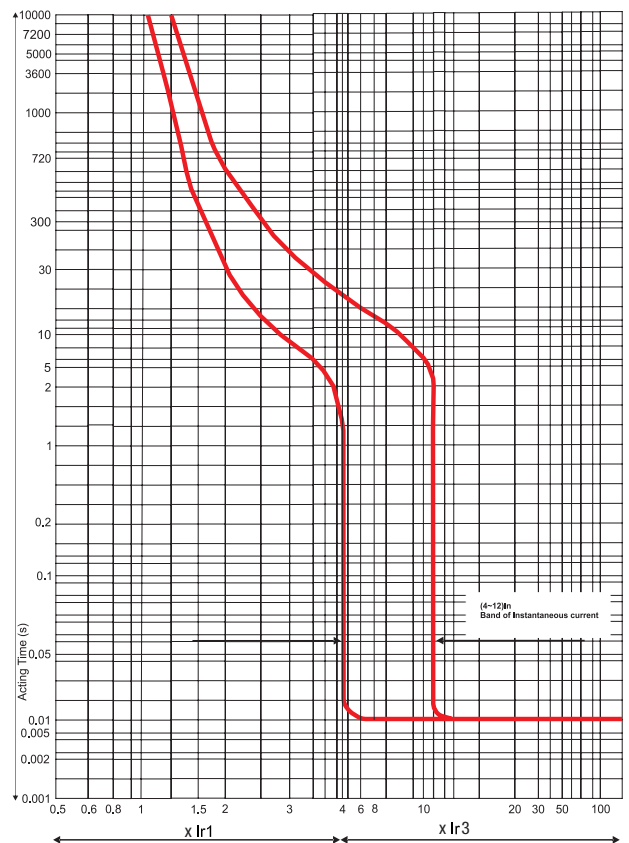
Tripping Curve

Circuit Breakers with Thermal /Magnectic Trip unit

CSE1M / CSE1N / CSE1S (125AF)



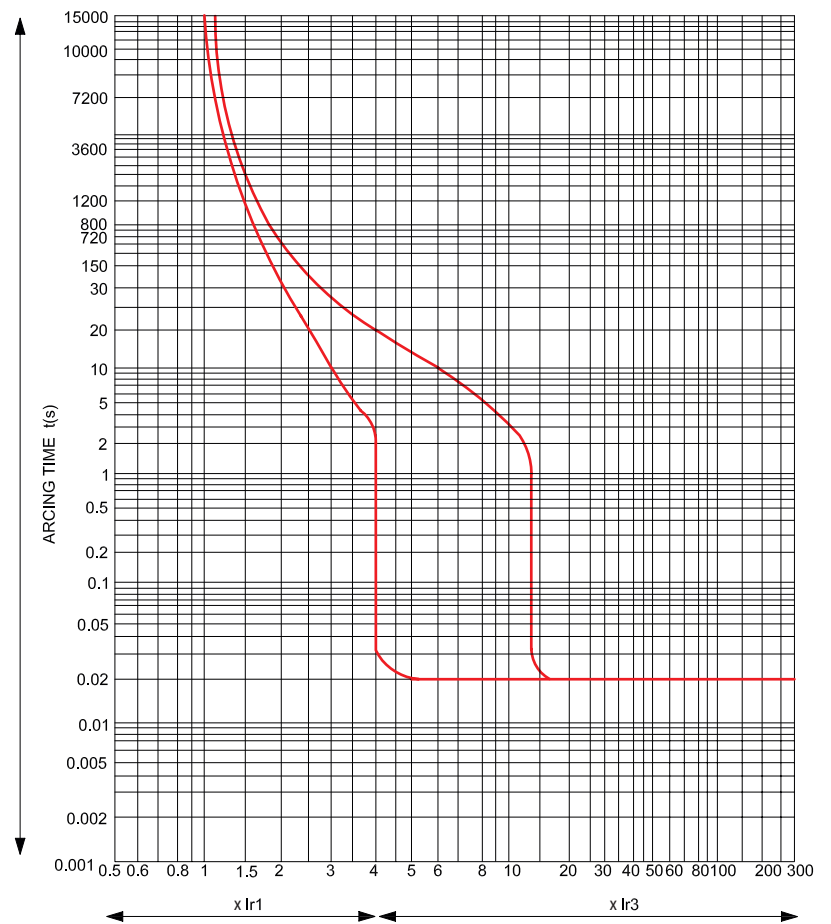
CSE2M / CSE2N / CSE2S / CSE2H (250AF)



Tripping Curve

Circuit Breakers with Thermal/Magnetic Trip unit

CSE3M / CSE3N / CSE3S (400AF)

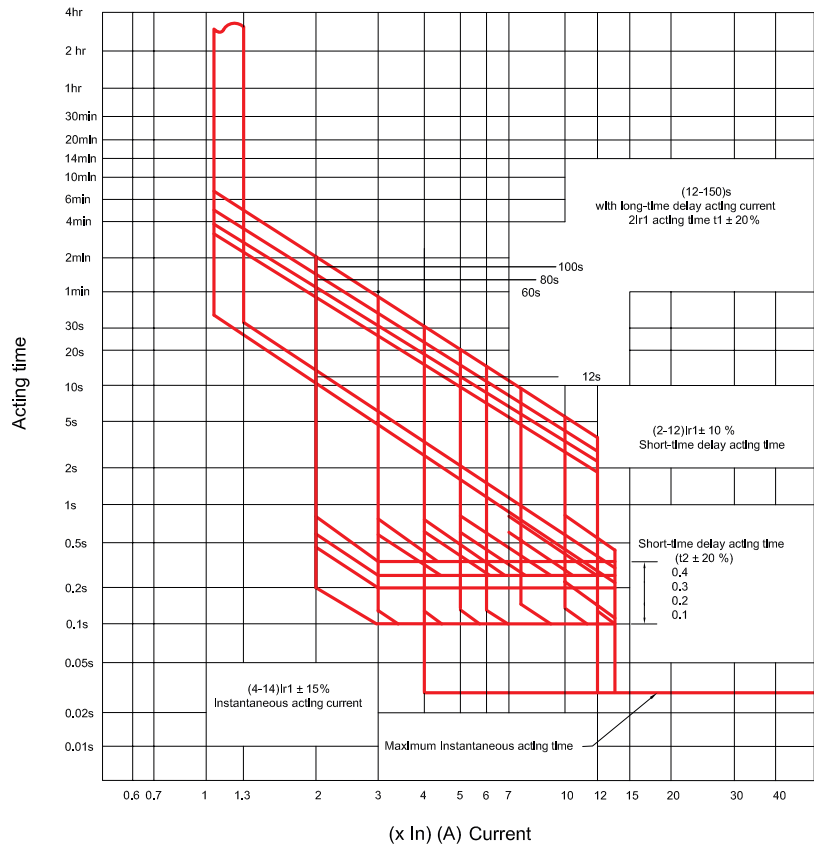


Tripping Curve

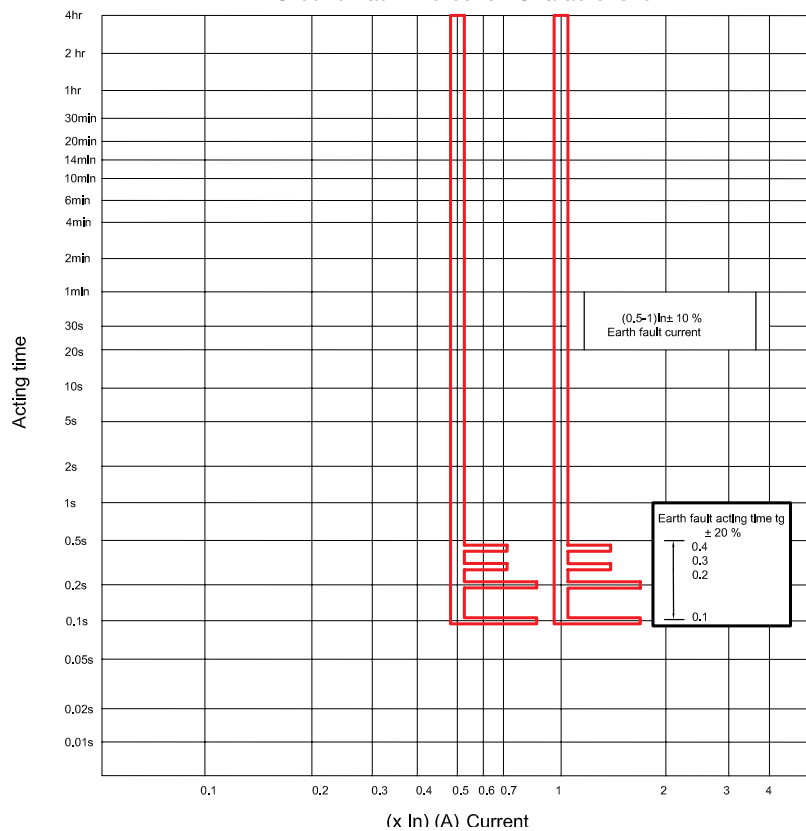
Circuit Breakers with Microprocessor Trip unit

CSE3M / CSE3N / CSE3S (400AF)

Overload & Short Circuit Protection Characteristic



Ground Fault Protection Characteristic



Marketing Offices spread all over India

CENTRAL MARKETING OFFICE

222, Okhla Industrial Estate, Phase - III, New Delhi - 110 020

Ph. : (+91 11) 3384 9000 - 09 • Fax : (+91 11) 26847342 • E-Mail : cmo@cselectric.co.in

CUSTOMER CARE

Toll Free Number: 1800 3010 2012

NORTHERN REGION

DELHI

Ph. : (+91 11) 3384 9000 - 09

Fax : (+91 11) 26847342

E-Mail : cmo@cselectric.co.in

CHANDIGARH

Ph. : (+91 172) 3021144

Fax : (+91 172) 2631059-3201144

E-Mail : chandigarh@cselectric.co.in

LUDHIANA

Ph. : (+91 161) 2541900, 2541800

Fax : (+91 161) 2541900, 2541800

E-Mail : ludhiana@cselectric.co.in

LUCKNOW

Ph. : (+91 522) 3917843, 4102044

E-Mail : lucknow@cselectric.co.in

KANPUR

Ph. : (+91 522) 3917843, 4102044

E-Mail : kanpur@cselectric.co.in

INDORE

Ph. : (+91 731) 4035761, 3918020

E-Mail : indore@cselectric.co.in

RAIPUR

Ph. : (+91 771) 4061404

E-Mail : raipur@cselectric.co.in

NAGPUR

Ph. : (+91 712) 2565215, 2547295

Fax : (+91 712) 2528923

E-Mail : nagpur@cselectric.co.in

EASTERN REGION

KOLKATA

Ph. : (+91 33) 39212100-01

Fax : (+91 33) 22275849

E-Mail : kolkata@cselectric.co.in

GUWAHATI

Ph. : (+91 361) 2469950

E-Mail : guwahati@cselectric.co.in

RANCHI

Ph. : (+91 651) 2242202, 2242224

E-Mail : ranchi@cselectric.co.in

BHUBANESWAR

Ph. : (+91 674) 2580788, 9778070465

E-Mail : bhubaneswar@cselectric.co.in

WESTERN REGION

MUMBAI

Ph. : (+91 22) 24114727-28, 30484071-73

Fax : (+91 22) 24126631

E-Mail : mumbai@cselectric.co.in

AHMEDABAD

Ph. : (+91 79) 30653015

Fax : (+91 79) 30074519

E-Mail : ahmedabad@cselectric.co.in

BARODA

Ph. : (+91 265) 2339479, 2356293

Fax : (+91 265) 2338754

E-Mail : baroda@cselectric.co.in

PUNE

Ph. : (+91 20) 30283239 - 40

Fax : (+91 20) 30283239

E-Mail : pune@cselectric.co.in

SURAT

Ph. : (+91 261) 6544024-28

E-Mail : surat@cselectric.co.in

JAIPUR

Ph. : (+91 141) 4037651

Fax : (+91 141) 4033954

E-Mail : jaipur@cselectric.co.in

SOUTHERN REGION

CHENNAI

Ph. : (+91 44) 33534500-01

Fax : (+91 44) 39180514

E-Mail : chennai@cselectric.co.in

COIMBATORE

Ph. : (+91 422) 3048406 - 20

Fax : (+91 422) 3048412

E-Mail : coimbatore@cselectric.co.in

KOCHI

Ph. : (+91 484) 3071715 (10 LINES)

Fax : (+91 484) 3071716

E-Mail : cochin@cselectric.co.in

MADURAI

E-Mail : commercial.madurai@cselectric.co.in

BENGALURU

Ph. : (+91 80) 3065 9400

Fax : (+91 80) 25594939

E-Mail : bangalore@cselectric.co.in

SECUNDERABAD

Ph. : (+91 40) 48534080

Fax : (+91 40) 27812987

E-Mail : hyderabad@cselectric.co.in

VIJAYAWADA

Ph. : (+91 866) 2496265 / 67

E-Mail : vijayawada@cselectric.co.in

RESIDENT ENGINEERS

Agra | Allahabad | Aurangabad | Bareilly | Bhopal | Dehradun | Goa | Gorakhpur | Haridwar | Hubli | Jabalpur | Jammu | Kolhapur | Kollam | Mangalore | Mehsana | Nashik | Patna | Rajkot | Rourkela | Siliguri | Srinagar | Tirupathi | Trichey | Udaipur | Una | Vapi | Visakhapatnam

WAREHOUSES

NATIONAL WAREHOUSE

NOIDA - A-7 & 8, Sector-VIII, Noida -201 301, Distt. Gautam Budh Nagar, (UP) Ph.: (+91 120) 3914301-02 Fax: (+ 91 120) 3914303

REGIONAL WAREHOUSES

DELHI	Khasra No. 915 & 916, 2nd Floor, Near Rice Mill, Village Rithala, Delhi-85 Ph.: (+91 11) 27049211
LUCKNOW	3rd Floor, E-143, Phase-I, Transport Nagar, Kanpur Road, Lucknow - 17 Ph.: (+91 522) 4103460
INDORE	Liberty Agencies 53, Udyog Nagar, Near Musakhedi Square, Ring Road, Indore-452001 Ph.: (+91) 88780-62000 / 64000
KOLKATA	113, Chetla Road, New Alipur, Kolkata - 700 053, Ph.: (+91 33) 22275849 - 51
RANCHI	Plot No. 145/C, Mandir Marg-D, Road No. 4, Ashok Nagar, Distt. Ranchi, Jharkhand - 834002 Ph.: (91 651) 2242202, 2242224
BHUBANESWAR	Rasharaj Geetikunj, Plot No. 224/A, Sec-A, Zone-B, Mancheswar Industrial Estate, Bhubaneswar-751 010 Ph.: (+91 674) 2580788
MUMBAI	E-5, Parasnath Complex. Gala No.8, Village 'VAL' Dapode Road, Taluka Bhiwandi, District, Thane - 421302 Ph.: (+91 2522) 314830
AHMEDABAD	B-25-B/C Meldi Industrial Estate, Opp. West Coast Pharmaceutical, Nr. Gota Over Bridge, Gota, Ahmedabad - 382481 Ph.: (+91 79) 65453044
BENGALURU	No. 17, 1st Main Road, Sampangiram Nagar, Bengaluru - 560 027 Ph.: (+91 80) 41125467

